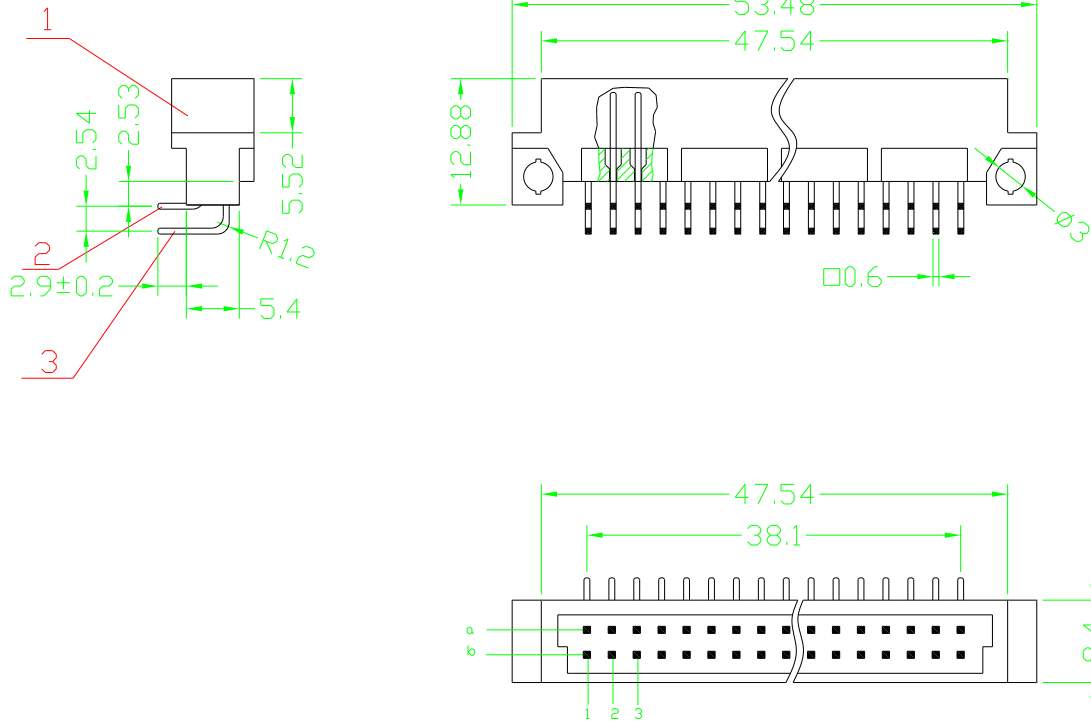


序号/RevNo.	名称/Title	文件编号/File No.
1	148M塑料件	QJ/XYT-11185
2	欧式公端端子(短弯)	QJ/XYT-11170
3	欧式公端端子(中弯)	QJ/XYT-11171



Specifications:

Contact Resistance: 30mΩ max.at DC 100 mA
 Insulator Resistance: 1000MΩ min.at DC 500V
 Current Rating: 2AMP

Dielectric Withstanding

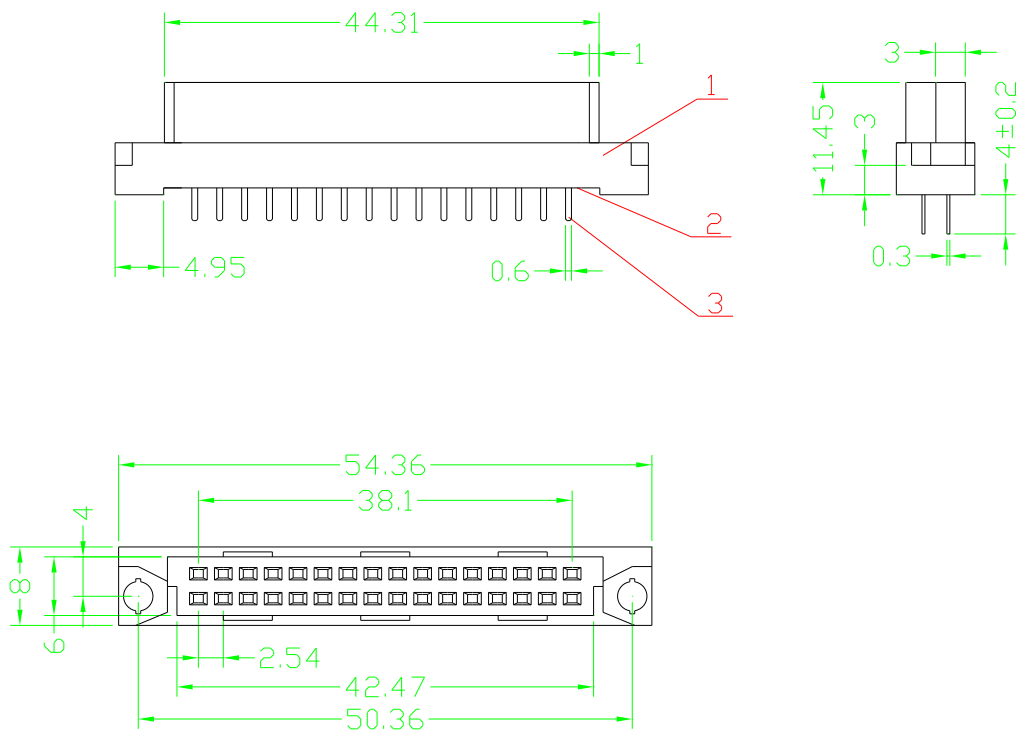
Voltage: AC 500V For 1 minute
 Operating Temperature:-55°C--+105°C
 Contact: Brass
 Housing: PBT &30% Glass Fiber(UL 94V-0)

Pitch	Position	Rows with contacts
2.54mm	32	ab
	16	a-
5.08mm	16	ab
	8	a-

设计/Designed by	绘图/Drawing by	审核/Checked by	批准/Approved by	未注公差 General Tolerance
				x. ±0.2 x.' ±2' .x ±0.1 .x' ±1' .xx ±0.05 .xx' ±0.5' .xxx ±0.01
		图名/Title	文件编号/File No.	
		148M产品图	QJ/XYT-12108	
		页序/Sheet		
		备注/Remark		单位/Units: mm

序号/RevNo.	更改记录/Revision note	签名/Signature	日期/Date

序号/RevNo.	名称/Title	文件编号/File No.
1	148F塑料件主体	QJ/XYT-11186
2	148F塑料件后盖	QJ/XYT-11187
3	欧式母端端子	QJ/XYT-11173



Specifications:

Contact Resistance: 30mΩ max.at DC 100 mA
 Insulator Resistance: 1000MΩ min.at DC 500V
 Current Rating: 2AMP

Dielectric Withstanding

Voltage: AC 500V For 1 minute
 Operating Temperature:-55°C--+105°C
 Contact: Phosphor Bronze
 Housing: PBT &30% Glass Fiber(UL 94V-0)

Pitch	Position	Rows with contacts
2.54mm	32	ab
	16	a-
5.08mm	16	ab
	8	a-

设计/Designed by	绘图/Drawing by	审核/Checked by	批准/Approved by	未注公差 General Tolerance
				x. ±0.2 x.' ±2' .x ±0.1 .x' ±1' .xx ±0.05 .xx' ±0.5' .xxx ±0.01
		图名/Title	文件编号/File No.	
		148F产品图	QJ/XYT-12109	
		页序/Sheet		
		备注/Remark		单位/Units: mm

序号/RevNo.	更改记录/Revision note	签名/Signature	日期/Date