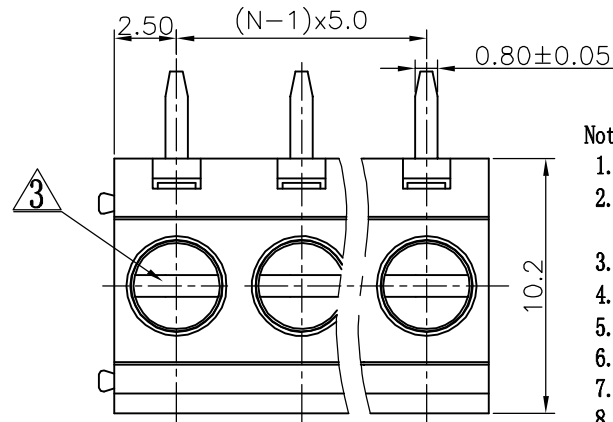
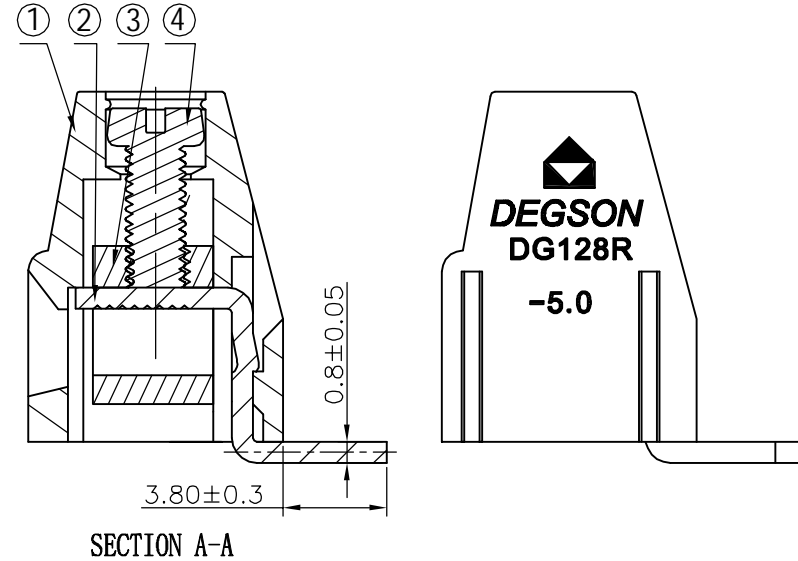
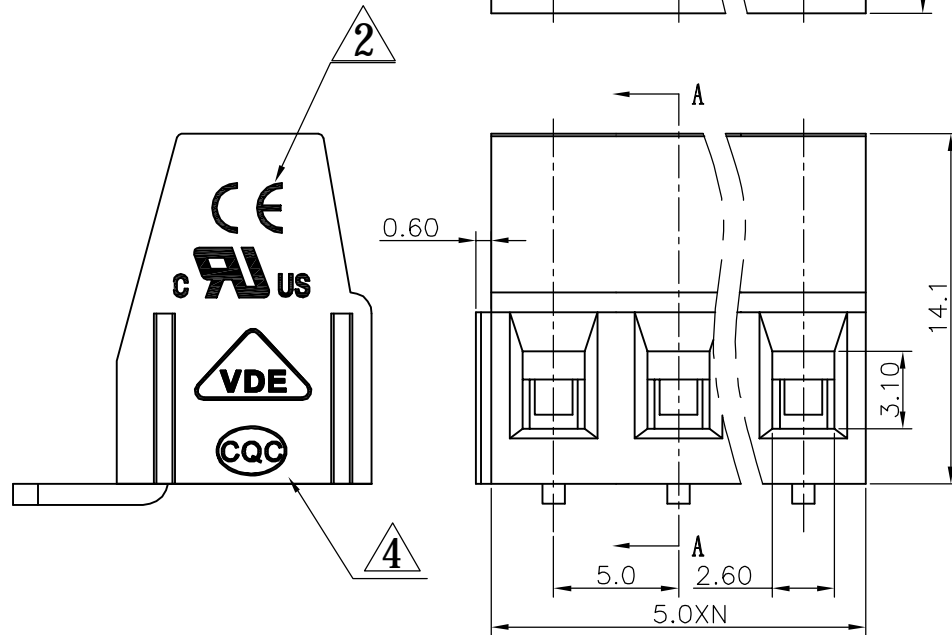


| REVISION RECORD | | | | |
|-----------------|---------|----------------|---------|----------|
| REV | ECN | DESCRIPTION | DRFT | DATE |
| △ | | Drawing Revise | WF | 07/07/07 |
| △ | | 增加VDE、CE标志 | LJH | 11/12/07 |
| △ | | 图面更新 | LJH | 04/09/08 |
| △ | | 增加CQC标志 | Ye j | 02/10/09 |
| △ | 10-0046 | UL电流由10A变更为15A | Lasting | 08/06/10 |



- Notes:
1. Pitch: 5.0mm, Poles: 2-XXP
 2. Rated voltage/current: UL 300V/15A △
VDE 250V/18A
 3. Operation temperatures: -40°C ~ +105°C
 4. Withstanding Voltage: AC2000V/1Min
 5. Insulation Resistance: 5000MΩ/DC1000V
 6. Wire Range: 12~24AWG, 2.5mm²
 7. Max. Torque Value: M2.5, 4.08kgf.cm
 8. Undimensioned Tolerances:

| Pitch range in mm | | Nominal dimension range in mm | | | | | |
|-------------------|--------------|-------------------------------|---------------|----------------|-----------------|----------|-------------|
| to 6 | over 6 to 10 | over 10 to 24 | over 30 to 60 | over 60 to 100 | over 100 to 150 | over 150 | ∩ □ |
| ±0.10 | ±0.15 | ±0.25 | ±0.2 | ±0.3 | ±0.5 | ±0.7 | ±1.0 G05/H0 |



| | | | | | |
|---|-----------------|----------------|----|-------|---------------------|
| 4 | 128"-Screws | S000001460 (H) | XX | Steel | Cr ³⁺ Zn |
| 3 | 128-Cage | X000000020 (H) | XX | Brass | Ni plated |
| 2 | 128R-Pin header | 4027B00030 (H) | XX | Brass | SnCe |

| | | | | | |
|--|-------------------|--|--|--------------|---------|
| 1 | DG128-5.0-Housing | 4096A0YXXA (H) | 1 | PA66 | UL94V-0 |
| ITEM | NAME OF PART | NO. OF PART | Q'TY | MATERIAL | NOTES |
| (MM) (INCH) TOLERANCES EXCEPT AS NOTED .0 ± .00 ± .000 ± | | DFTO Zhjwm DATE 04/03/06 CHKD DATE MFO DATE APPVL DATE MATERIAL : ANGLES ± 1° THIRD ANGLE PROJECTION | 宁波高正电子有限公司 DEGSON [®] DEGSON ELECTRONICS CO., LTD NAME DG128R-5.0-XXP-1Y-00A(H) DRAWING NO. DG128R-5.0-E04 /PART NO. DO NOT SCALE DRAWING | | |
| G.E : FINISH : SCALE : 1:1 | | | SIZE A3 REV T5 08/06/10 | SHEET 1 OF 1 | |