

4

3

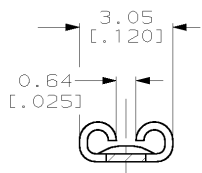
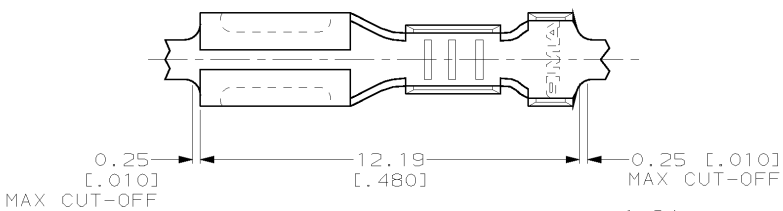
2

1

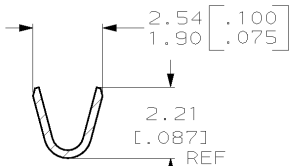
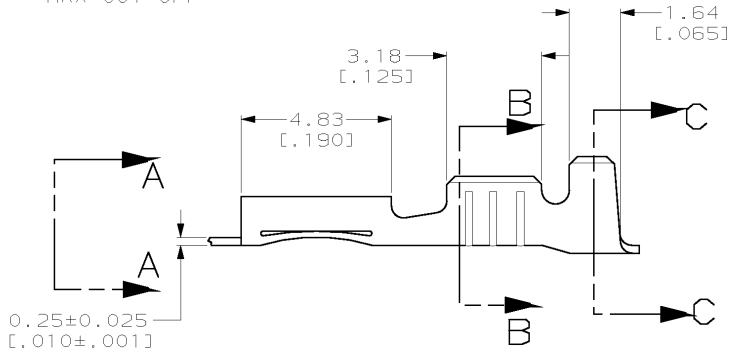
THIS DRAWING IS UNPUBLISHED. RELEASED FOR PUBLICATION .19
 © COPYRIGHT 19 BY AMP INCORPORATED. ALL RIGHTS RESERVED.

LOC		DIST		REVISIONS			
P	LTR	DESCRIPTION		DATE	DWN	APVD	
AF	50	E		REDRAWN PER 0L10-0028-98	1/29/98	JR	JG

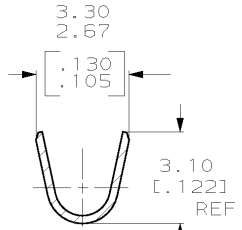
- SUPPLIED IN LOOSE PIECE OR STRIP FORM, SEE DASH NUMBERS.
- WIRE SIZE [#22-#18] AWG.
- MATING TAB IS 0.25±0.025 [.010±.001] THK.
- INSULATION RANGE IS 1.27-2.16 [.050-.085] DIA.



VIEW A-A



SECTION B-B



SECTION C-C

STRIP	63391-2
LOOSE PIECE	63391-1
SUPPLIED TO CUSTOMER	PART NO.

THIS DRAWING IS A CONTROLLED DOCUMENT.		DWN JR RUTH 1/29/98	AMP Incorporated Harrisburg, PA 17105-3608	
DIMENSIONS: MM [INCHES]		CHK P FORTNEY 1/29/98		
TOLERANCES UNLESS OTHERWISE SPECIFIED:		APVD J GILLESPIE 1/29/98		
0 PLC ±- 1 PLC ±- 2 PLC ±0.25 [.010] 3 PLC ±- 4 PLC ±- ANGLES ±-		PRODUCT SPEC	NAME	
MATERIAL H04 BRASS		FINISH 0.002032 [.000080] PRE-TIN	APPLICATION SPEC	RECEPTACLE, TAB, 2.36 [.093]
		WEIGHT -	SIZE A3	CAGE CODE 00779
		CUSTOMER DRAWING	DRAWING NO. C-63391	RESTRICTED TO -
			SCALE 8:1	SHEET 1 OF 1
				REV E