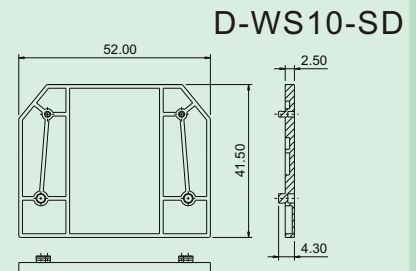
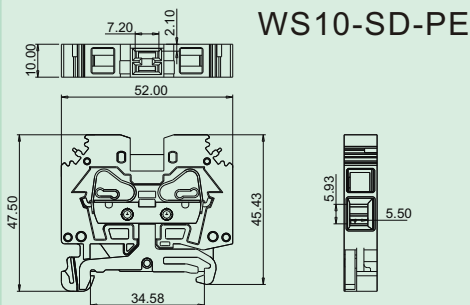
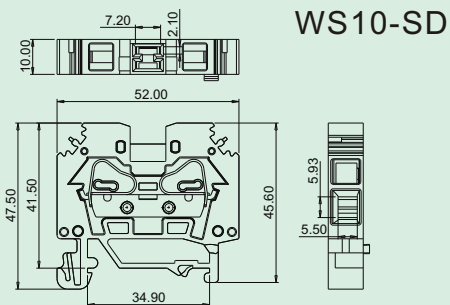


WS10-SD/WS10-SD-PE /D-WS10-SD

- 笼式弹簧结构，良好的抗振性；
- 两侧进线的一进一出结构，操作方便；
- 提供带接地与不带接地两种规格；
- 最大线径：10mm²。
- Spring-cage structure with excellent resistance to vibration;
- Side entry with one input and one output, easy for operation;
- PE and non-PE specifications available;
- Maximum wire range: 10mm².



技术参数 Technical data

APPROVAL: CE

型号 Model	线径 Wire range (AWG/mm ²)	线数 Poles	IEC60947技术参数 (IEC60947 data sheet)		UL1059技术参数 (UL1059 data sheet)	
			电压(V) Rated voltage	电流(A) Rated current	电压(V) Rated voltage	电流(A) Rated current
WS10-SD	24-8/0.2-10	01P	800	57	600	50
WS10-SD-PE	24-8/0.2-10	01P	-	-	-	-
D-WS10-SD	-/-	01P	-	-	-	-

应用行业 Application

工业自动化，仪器仪表，电梯，新能源，
电力电气，机械等行业。
Industrial automation, instrument, elevator,
new energy, electric power, machinery etc.



产品包装方式 Packing

Product model	Pcs./Pkt.
WS10-SD-01P	25
WS10-SD-PE-01P	25
D-WS10-SD	50

型号对照 Cross reference

DEGSON	同行1/Competitor1	同行2/Competitor2
WS10-SD	284-101	-
WS10-SD-PE	284-107	-
D-WS10-SD	284-301	-

产品订货 How to order

WS10-SD	-	0	1	P	-	1	Y	-	0	0	A(H)
Series NO.			NO. of pole				通用色 General Color				
			1 Single pitch				1 Grey				PANTONE 430C DEGSON 01
			2 Double pitch								
WS10-SD-PE	-	0	1	P	-	1	C	-	0	0	A(H)
Series NO.			NO. of pole				通用色 General Color				
			1 Single pitch				1 Green-yellow				PANTONE - DEGSON 0C
			2 Double pitch								