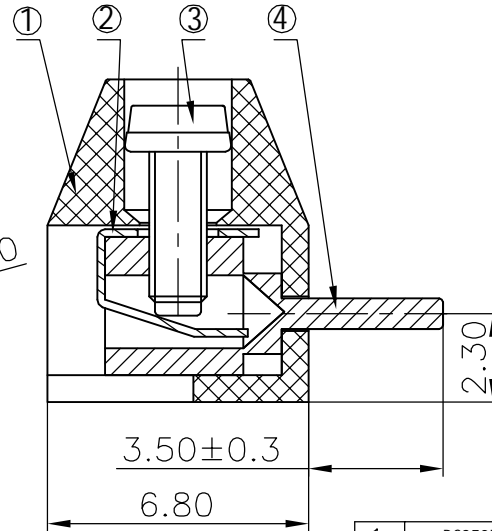
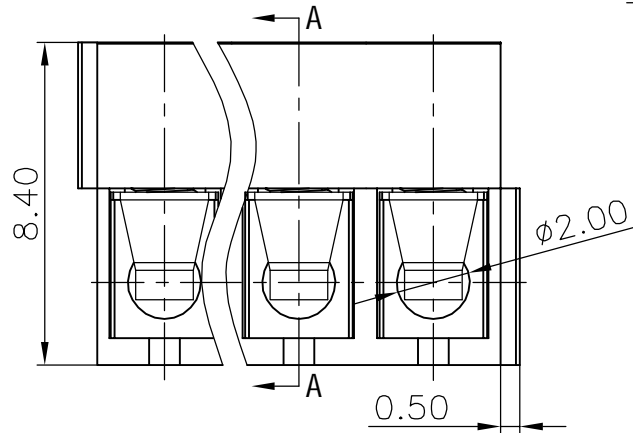
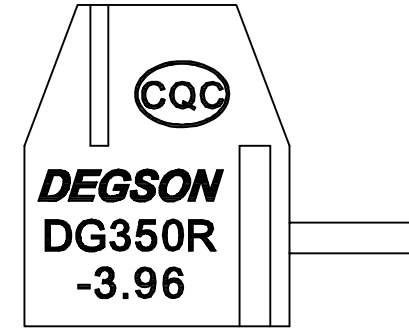
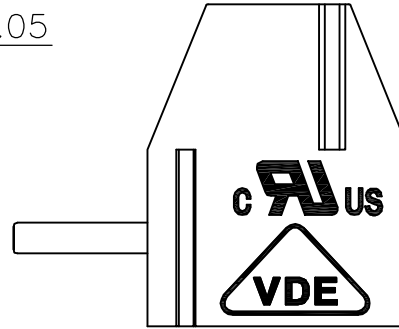
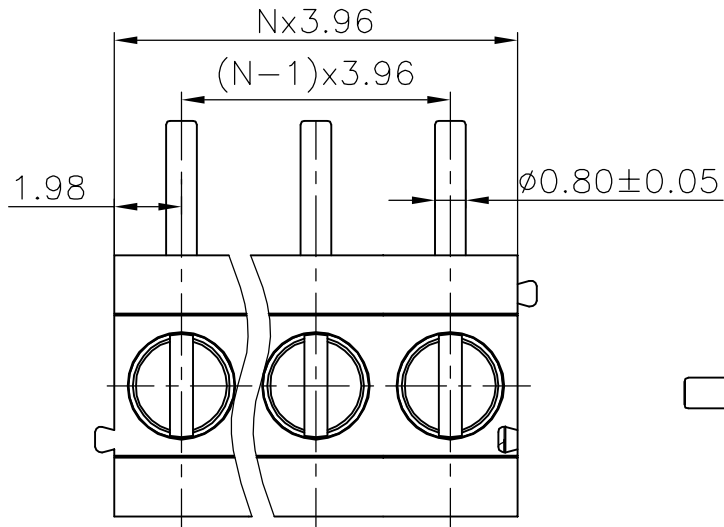


REVISION RECORD				
REV	ECO	DESCRIPTION	DRFT	DATE
△		Drawing Revise	Haoyh	03/18/06
△		图面更新	CSX	05/22/06
△		品名、料号增加环保标示“(H)”	CSX	12/10/07



- Notes:
1. Pitch: 3.96mm
 2. Rated voltage/current: UL 300V/10A
VDE 130V/10A
 3. Operation temperatures: -40°C ~ +105°C
 4. Withstanding Voltage: AC2000V/1Min
 5. Insulation Resistance: 5000MΩ / DC1000V
 6. Wire Range: 24~18AWG, 1.0mm²
 7. Max. Torque Value: 2.04kgf.cm
 8. Undimensioned Tolerances:

Pitch range in mm		Nominal dimension range in mm					
to	over	to	over	over	over	over	
6	6	10	30	60	100	150	∩
6	10	24	30	60	100	150	∇
±0.10	±0.15	±0.25	±0.2	±0.3	±0.5	±0.7	±1.0
							0.05/10

4	DG350R-Pin header	4018B00010(H)	XX	Brass	SnCe
3	DG350-Screws	S000001400(H)	XX	Steel	Cr ³⁺ Zn
2	DG350-Spring	X000000290(H)	XX	Phosphor bronze	Ni plated

ITEM	NAME OF PART	NO. OF PART	Q'TY	MATERIAL	NOTES
1	DG350R-3.96-Housing	4041A0YXXA(H)	1	PA66	UL94V-0

MM (INCH)	DFTO Zhwm	DATE 07/14/04
TOLERANCES EXCEPT AS NOTED	CHKD	DATE
	MFO	DATE
MM	APPLV	DATE
.0 ±		
.00 ±		
.000 ±		
MATERIAL :		
ANGLES ± 1°	G.E :	
THIRD ANGLE PROJECTION	FINISH :	
	SCALE : 1:1	

DEGSON [®]		宁波高正电子有限公司 DEGSON ELECTRONICS CO., LTD	
NAME DG350R-3.96-XXP-1Y-00A(H)			
DRAWING NO. DG350R-3.96-E04		SIZE	REV T3
/PART NO.		A3	12/10/07
DO NOT SCALE DRAWING		SHEET 1	OF 1