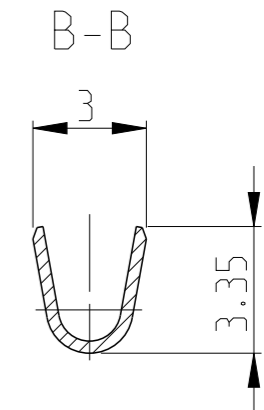
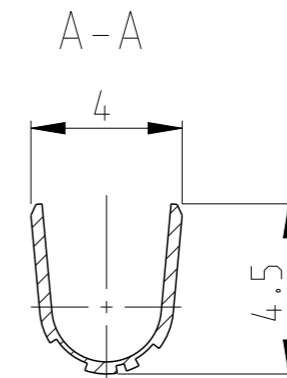
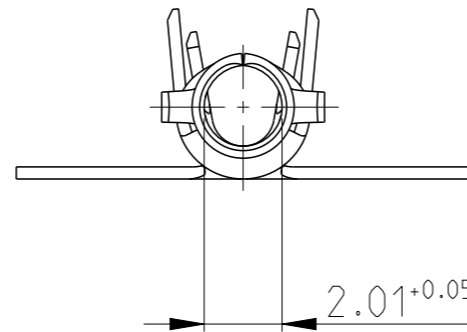
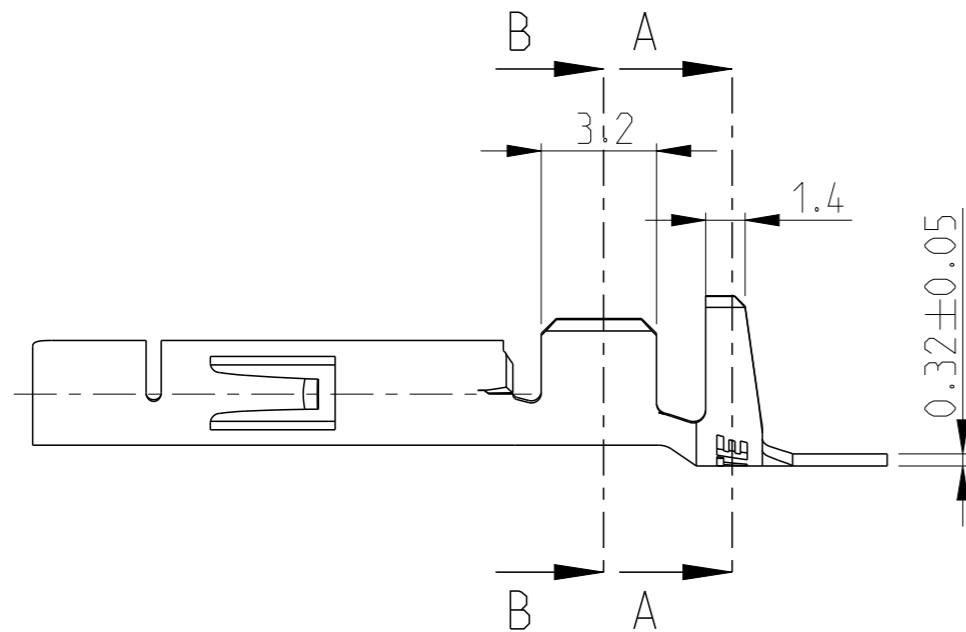


THIS DRAWING IS UNPUBLISHED. RELEASED FOR PUBLICATION 2005  
 © COPYRIGHT 2005 BY - ALL RIGHTS RESERVED.

REVISIONS

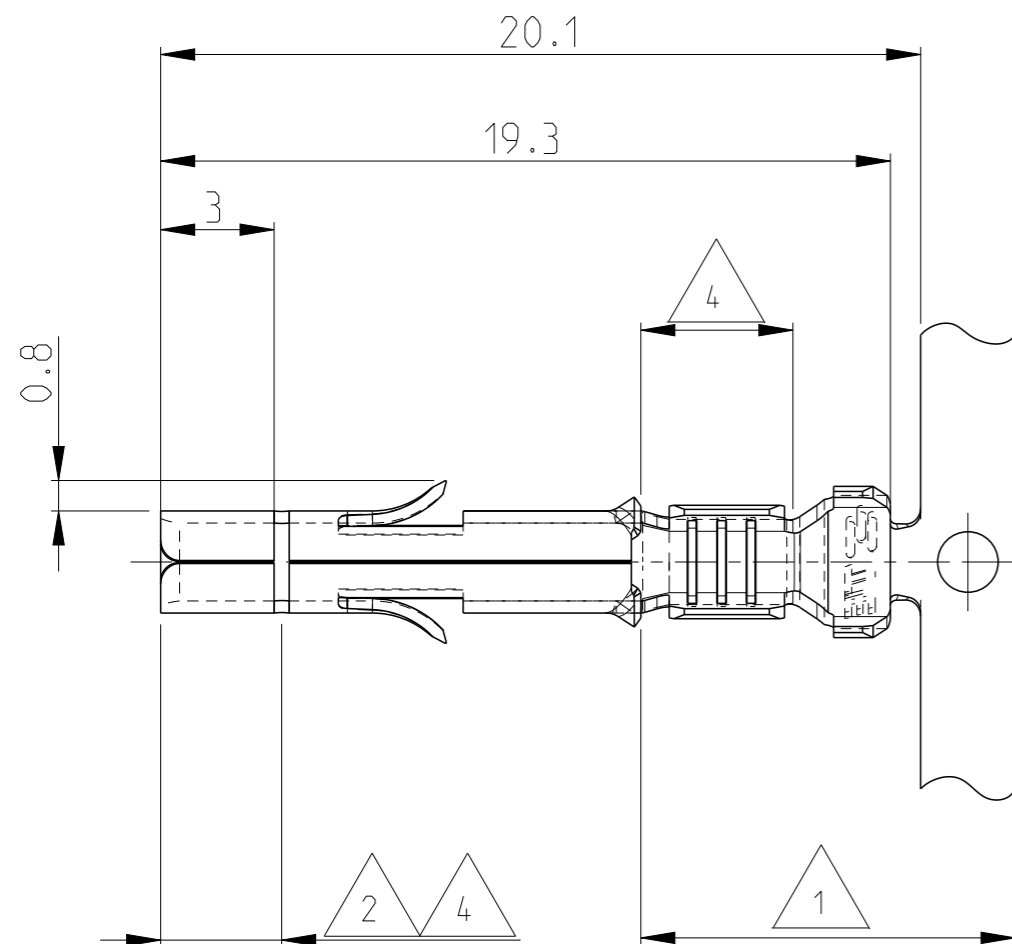
| P | LTR | DESCRIPTION               | DATE      | DWN | APVD |
|---|-----|---------------------------|-----------|-----|------|
|   | M6  | REVISED PER ECR-18-010208 | 31JUL2018 | BDA | SF   |
|   |     |                           |           |     |      |
|   |     |                           |           |     |      |



NOTES:

Bemerkungen:

- 1 2-6 µm Sn OVER Ni IN CRIMP-AREA  
2-6 µm Sn über Ni in der Crimpzone
- 2 0.8 µm Au OVER Ni IN CONTACT-AREA  
0.8 µm Au über Ni in der Kontaktzone
- 3 SUITABLE FOR Ø1.0-2.5mm  
Für Isolations Ø1.0-2.5mm geeignet
- 4 0.8 µm Au OVER 1.3 µm Ni ON INSIDE OF WIRE BARREL AND CONTACT AREA  
0.8 µm Au über 1.3 µm Ni in der Drahtcrimp und Kontaktzonen, sonst 1.3 µm Ni



|                        |              |             |          |              |         |
|------------------------|--------------|-------------|----------|--------------|---------|
|                        | 107-3, FIG.2 |             | 926882-8 | BRASS        | PRE-TIN |
| SUPERSEDED BY 350536-7 | 407-3, FIG.1 | 926893-7    | 926884-7 | BRASS        | 1 2     |
| SUPERSEDED BY 350536-6 | 407-3, FIG.1 | 926893-6    | 926884-6 | PHOS BRONZE  | 1 2     |
| OBSOLETE               | 407-3, FIG.1 | 926893-5    | 926882-5 | COPPER ALLOY | PRE-TIN |
| OBSOLETE               | 407-3, FIG.1 | 926893-4    | 926882-4 | COPPER ALLOY | PLAIN   |
|                        | 107-3, FIG.1 | 926893-3    | 926882-3 | PHOS BRONZE  | PRE-TIN |
| SUPERSEDED BY 350536-2 | 407-3, FIG.1 | 926893-2    | 926882-2 | BRASS        | 4       |
|                        | 107-3, FIG.1 | 926893-1    | 926882-1 | BRASS        | PRE-TIN |
|                        | REELING      | LOOSE PIECE | PART NO. | MATERIAL     | FINISH  |

|  |  |                               |  |                    |                        |
|--|--|-------------------------------|--|--------------------|------------------------|
| THIS DRAWING IS A CONTROLLED DOCUMENT.                                     |  | DWN<br>J.Skoda<br>29NOV2005   | TE Connectivity  |                    |                        |
| DIMENSIONS:<br>mm  |  | CHK<br>R.Vlcek                |  |                    |                        |
| TOLERANCES UNLESS OTHERWISE SPECIFIED:                                     |  | APVD<br>M.Bleicher            | NAME<br>UNIVERSAL MNL Socket<br>0.5-2.1 mm SQUARE WIRE RANGE |                    |                        |
| 0 PLC ±0.2<br>1 PLC ±0.2<br>2 PLC ±0.2<br>3 PLC ±<br>4 PLC ±<br>ANGLES ±1° |  | PRODUCT SPEC<br>108-1031      | SIZE<br>A3   | CAGE CODE<br>00779 | DRAWING NO<br>C-926882 |
| MATERIAL<br>SEE TABLE  |  | APPLICATION SPEC<br>114-18011 | RESTRICTED TO  |                    |                        |
| FINISH<br>SEE TABLE  |  | WEIGHT<br>-                   | SCALE<br>5:1   |                    |                        |
|  |  | CUSTOMER DRAWING              | SHEET<br>1 OF 1  |                    |                        |
|  |  |                               | REV<br>M6  |                    |                        |