

SMD POWER INDUCTOR

JCDRR SERIES



FEATURES/APPLICATOINS

- .Carrier tape packing use for SMT
- .High rated current & Low DCR,Quadrate;Width:6.3mm~10.6mm,Height:3.0mm~5.0mm.
- .Magnetically shielded construction
- .Suitable for reflow SMT craft soldering
- .Lead free products, RoHS compliant
- .Widely use in Digital products & Scanner/DC-DC converter/Power supply for VTP/LCD monitor/portable terminal equipment/Telecommunications/Notebook and PC Peripheral equipments etc

PRODUCT INDICATION

JCDRR **103** – **220** **M**
① ② ③ ④

- ① Product type: JCDRR type
- ② External dimension: Quadrate, 10 for Width 10.0mm
3 for Height 3.0mm
- ③ Electrical code: 220 for 22 μ H Tolerance:
- ④ K for $\pm 10\%$; M for $\pm 20\%$

Page

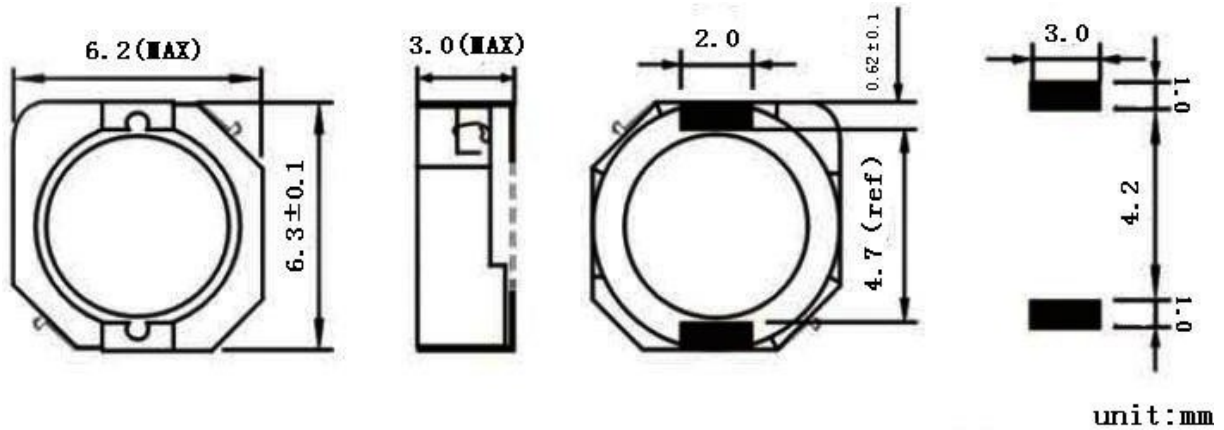
JCDRR63	3
JCDRR103	4
JCDRR104	5
JCDRR105	7

Notes:

- Inductance instrument: HP4286A/CH1062A or LCR Meter equivalent.
- Inductance testing condition: 100KHz/1KHz.
- DCR instrument: TH2512B or DCR test equipment equivalent .
- Rated Current test: VR7210&VR113H.
- Rated Current definition: Inductance drop by 25% or temperature rise by 40°C the lesser of the minimum as the rated current.
- Temperature storage range: -25°C~80°C the relative humidity: RH65%~85%.

JCDRR63

SHAPE AND DIMENSIONS



Electrical Characteristics JCDRR63 Series

Part NO	Test Condition	Inductance(μ H)	Tolerance(%)	DC Resistance(Ω)Max	Rated Current(A)Max
JCDRR63-2R7M	100KHz/0.1V	2.7	± 20	0.018	2.60
JCDRR63-3R3M	100KHz/0.1V	3.3	± 20	0.020	2.30
JCDRR63-5R0M	100KHz/0.1V	5	± 20	0.031	1.85
JCDRR63-8R0M	100KHz/0.1V	8	± 20	0.050	1.50
JCDRR63-100M	100KHz/0.1V	10	± 20	0.054	1.30
JCDRR63-120M	100KHz/0.1V	12	± 20	0.072	1.20
JCDRR63-150M	100KHz/0.1V	15	± 20	0.082	1.10
JCDRR63-180M	100KHz/0.1V	18	± 20	0.102	1.05
JCDRR63-220M	100KHz/0.1V	22	± 20	0.119	0.95
JCDRR63-270M	100KHz/0.1V	27	± 20	0.146	0.85
JCDRR63-330M	100KHz/0.1V	33	± 20	0.183	0.76
JCDRR63-390M	100KHz/0.1V	39	± 20	0.210	0.68

Special inquiries besides the above common used types can be meet

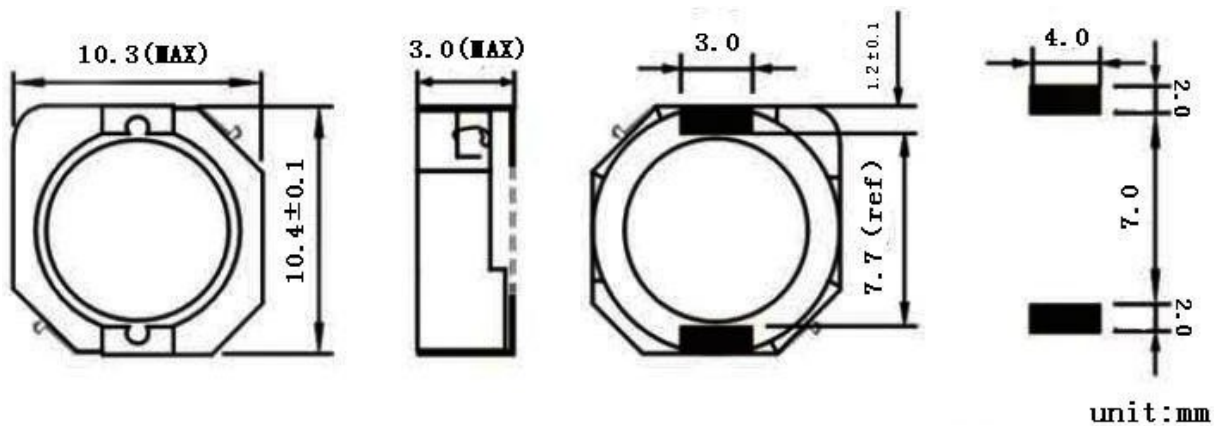
Electrical Characteristics JCRR63 Series

Part NO	Test Condition	Inductance(μ H)	Tolerance(%)	DC Resistance(Ω)Max	Rated Current(A)Max
JCRR63-470M	100KHz/0.1V	47	± 20	0.230	0.60
JCRR63-560M	100KHz/0.1V	56	± 20	0.305	0.55
JCRR63-680M	100KHz/0.1V	68	± 20	0.351	0.48
JCRR63-820M	100KHz/0.1V	82	± 20	0.419	0.45
JCRR63-101M	100KHz/0.1V	100	± 20	0.520	0.40

Special inquiries besides the above common used types can be meet

JCRR103

SHAPE AND DIMENSIONS



Electrical Characteristics JCRR103 Series

Part NO	Test Condition	Inductance(μ H)	Tolerance(%)	DC Resistance(Ω)Max	Rated Current(A)Max
JCRR103-1R0N	100KHz/0.3V	1	$\pm 30\%$	0.009	6.5
JCRR103-1R5N	100KHz/0.3V	1.5	$\pm 30\%$	0.011	5.8
JCRR103-2R2N	100KHz/0.3V	2.2	$\pm 30\%$	0.017	5.1
JCRR103-3R3N	100KHz/0.3V	3.3	$\pm 30\%$	0.021	4.7

Special inquiries besides the above common used types can be meet

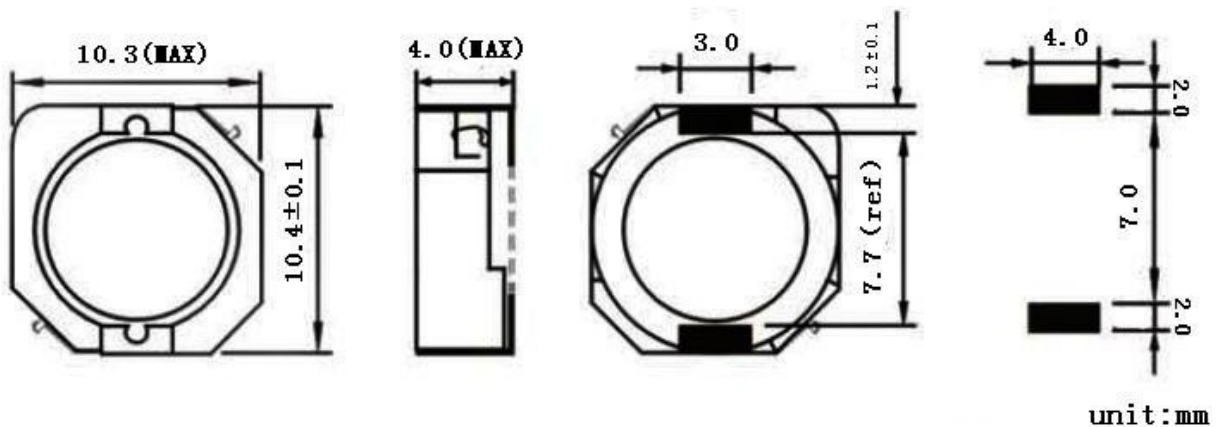
Electrical Characteristics JCDRR103 Series

Part NO	Test Condition	Inductance(μ H)	Tolerance(%)	DC Resistance(Ω)Max	Rated CurreN(A)Max
JCDRR103-4R7N	100KHz/0.3V	4.7	$\pm 30\%$	0.03	4
JCDRR103-6R8N	100KHz/0.3V	6.8	$\pm 30\%$	0.035	3.6
JCDRR103-8R2N	100KHz/0.3V	8.2	$\pm 30\%$	0.05	3
JCDRR103-100M	1KHz0.3V	10	$\pm 20\%$	0.059	2.8
JCDRR103-150M	1KHz0.3V	15	$\pm 20\%$	0.091	2.05
JCDRR103-220M	1KHz0.3V	22	$\pm 20\%$	0.143	1.6
JCDRR103-330M	1KHz0.3V	33	$\pm 20\%$	0.202	1.35
JCDRR103-470M	1KHz0.3V	47	$\pm 20\%$	0.299	1.2
JCDRR103-560M	1KHz0.3V	56	$\pm 20\%$	0.325	1.15
JCDRR103-680M	1KHz0.3V	68	$\pm 20\%$	0.429	0.95
JCDRR103-820M	1KHz0.3V	82	$\pm 20\%$	0.494	0.8
JCDRR103-101M	1KHz0.3V	100	$\pm 20\%$	0.683	0.7
JCDRR103-121M	1KHz0.3V	120	$\pm 20\%$	0.754	0.65
JCDRR103-151M	1KHz0.3V	150	$\pm 20\%$	0.876	0.6

Special inquiries besides the above common used types can be meet

JCDRR104

SHAPE AND DIMENSIONS



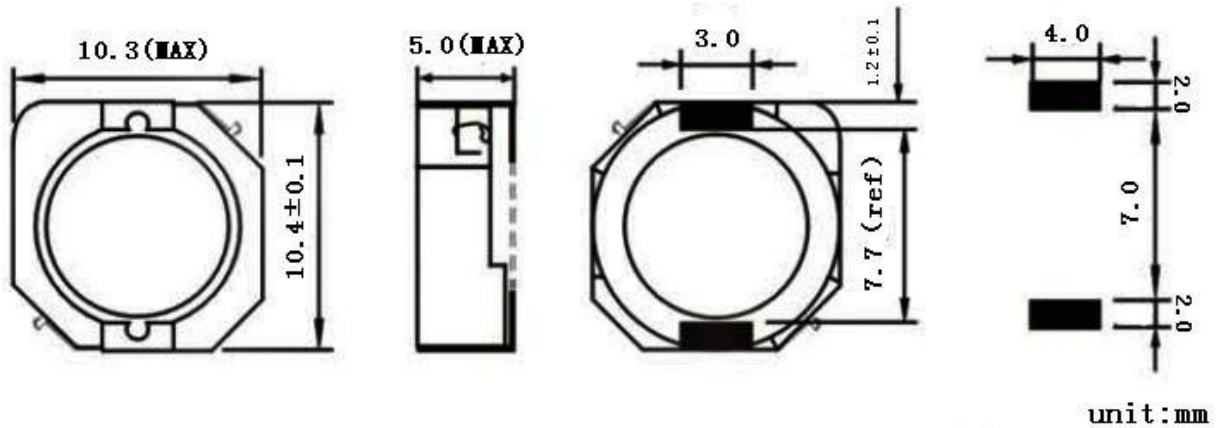
Electrical Characteristics JCRR104 Series

Part NO	Test Condition	Inductance(μ H)	Tolerance(%)	DC Resistance(Ω)Max	Rated Current(A)Max
JCRR104-1R0N	100KHz/0.1V	1	$\pm 30\%$	0.006	12
JCRR104-1R5N	100KHz/0.1V	1.5	$\pm 30\%$	0.008	10
JCRR104-2R2N	100KHz/0.1V	2.2	$\pm 30\%$	0.01	7.5
JCRR104-3R3N	100KHz/0.1V	3.3	$\pm 30\%$	0.013	6
JCRR104-4R7N	100KHz/0.1V	4.7	$\pm 30\%$	0.022	5.5
JCRR104-6R8N	100KHz/0.1V	6.8	$\pm 30\%$	0.027	4.8
JCRR104-100M	100KHz/0.1V	10	$\pm 20\%$	0.035	4.4
JCRR104-150M	100KHz/0.1V	15	$\pm 20\%$	0.05	3.6
JCRR104-220M	100KHz/0.1V	22	$\pm 20\%$	0.073	2.9
JCRR104-330M	100KHz/0.1V	33	$\pm 20\%$	0.093	2.3
JCRR104-470M	100KHz/0.1V	47	$\pm 20\%$	0.128	2.1
JCRR104-680M	100KHz/0.1V	68	$\pm 20\%$	0.213	1.5
JCRR104-101M	100KHz/0.1V	100	$\pm 20\%$	0.304	1.35
JCRR104-151M	100KHz/0.1V	150	$\pm 20\%$	0.506	1.15
JCRR104-221M	100KHz/0.1V	220	$\pm 20\%$	0.756	0.92
JCRR104-331M	100KHz/0.1V	330	$\pm 20\%$	1.09	0.7
JCRR104-471M	100KHz/0.1V	470	$\pm 20\%$	1.22	0.6
JCRR104-561M	100KHz/0.1V	560	$\pm 20\%$	1.52	0.5
JCRR104-681M	100KHz/0.1V	680	$\pm 20\%$	1.71	0.47
JCRR104-821M	100KHz/0.1V	820	$\pm 20\%$	1.9	0.43
JCRR104-102M	100KHz/0.1V	1000	$\pm 20\%$	2.1	0.41

Special inquiries besides the above common used types can be meet

JCDRR105

SHAPE AND DIMENSIONS



Electrical Characteristics JCDRR105 Series

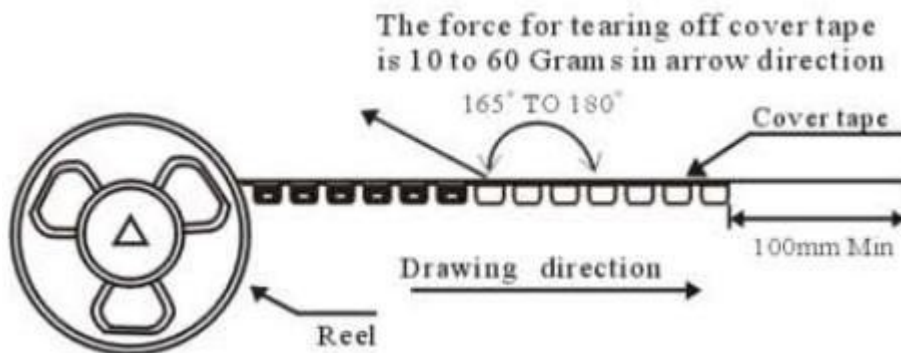
Part NO	Test Condition	Inductance(μH)	Tolerance(%)	DC Resistance(Ω)Max	Rated Current(A)Max
JCDRR105-1R0N	100KHz/0.1V	1	±30%	0.005	12.5
JCDRR105-1R5N	100KHz/0.1V	1.5	±30%	0.007	11
JCDRR105-2R2N	100KHz/0.1V	2.2	±30%	0.09	7.8
JCDRR105-3R3N	100KHz/0.1V	3.3	±30%	0.013	6
JCDRR105-4R7N	100KHz/0.1V	4.7	±30%	0.016	5.7
JCDRR105-6R8N	100KHz/0.1V	6.8	±30%	0.02	5.35
JCDRR105-8R2N	100KHz/0.1V	8.2	±30%	0.023	5
JCDRR105-100M	100KHz/0.1V	10	±20%	0.026	4.5
JCDRR105-120M	100KHz/0.1V	12	±20%	0.032	4
JCDRR105-150M	100KHz/0.1V	15	±20%	0.04	3.65
JCDRR105-180M	100KHz/0.1V	18	±20%	0.046	3.2
JCDRR105-220M	100KHz/0.1V	22	±20%	0.059	2.95
JCDRR105-270M	100KHz/0.1V	27	±20%	0.065	2.7
JCDRR105-330M	100KHz/0.1V	33	±20%	0.081	2.4
JCDRR105-390M	100KHz/0.1V	39	±20%	0.103	2.3

Special inquiries besides the above common used types can be meet

Electrical Characteristics JCDRR105 Series

Part NO	Test Condition	Inductance(μ H)	Tolerance(%)	DC Resistance(Ω)Max	Rated Current(A)Max
JCDRR105-470M	100KHz/0.1V	47	$\pm 20\%$	0.122	2.2
JCDRR105-560M	100KHz/0.1V	56	$\pm 20\%$	0.145	1.9
JCDRR105-680M	100KHz/0.1V	68	$\pm 20\%$	0.193	1.65
JCDRR105-820M	100KHz/0.1V	82	$\pm 20\%$	0.219	1.5
JCDRR105-101M	100KHz/0.1V	100	$\pm 20\%$	0.247	1.4
JCDRR105-121M	100KHz/0.1V	120	$\pm 20\%$	0.298	1.28
JCDRR105-151M	100KHz/0.1V	150	$\pm 20\%$	0.355	1.2
JCDRR105-181M	100KHz/0.1V	180	$\pm 20\%$	0.393	1.04
JCDRR105-221M	100KHz/0.1V	220	$\pm 20\%$	0.484	1
JCDRR105-271M	100KHz/0.1V	270	$\pm 20\%$	0.633	0.84
JCDRR105-331M	100KHz/0.1V	330	$\pm 20\%$	0.788	0.75
JCDRR105-391M	100KHz/0.1V	390	$\pm 20\%$	0.958	0.7
JCDRR105-471M	100KHz/0.1V	470	$\pm 20\%$	1.22	0.6
JCDRR105-561M	100KHz/0.1V	560	$\pm 20\%$	1.352	0.54
JCDRR105-681M	100KHz/0.1V	680	$\pm 20\%$	1.519	0.52
JCDRR105-821M	100KHz/0.1V	820	$\pm 20\%$	1.694	0.5
JCDRR105-102M	100KHz/0.1V	1000	$\pm 20\%$	1.964	0.48

Special inquiries besides the above common used types can be meet



TYPE	QUANTITIES PCS/reel	TYPE	QUANTITIES PCS/reel
JCDRR63	2500	JCDRR104	1000
JCDRR103	1000	JCDRR105	800