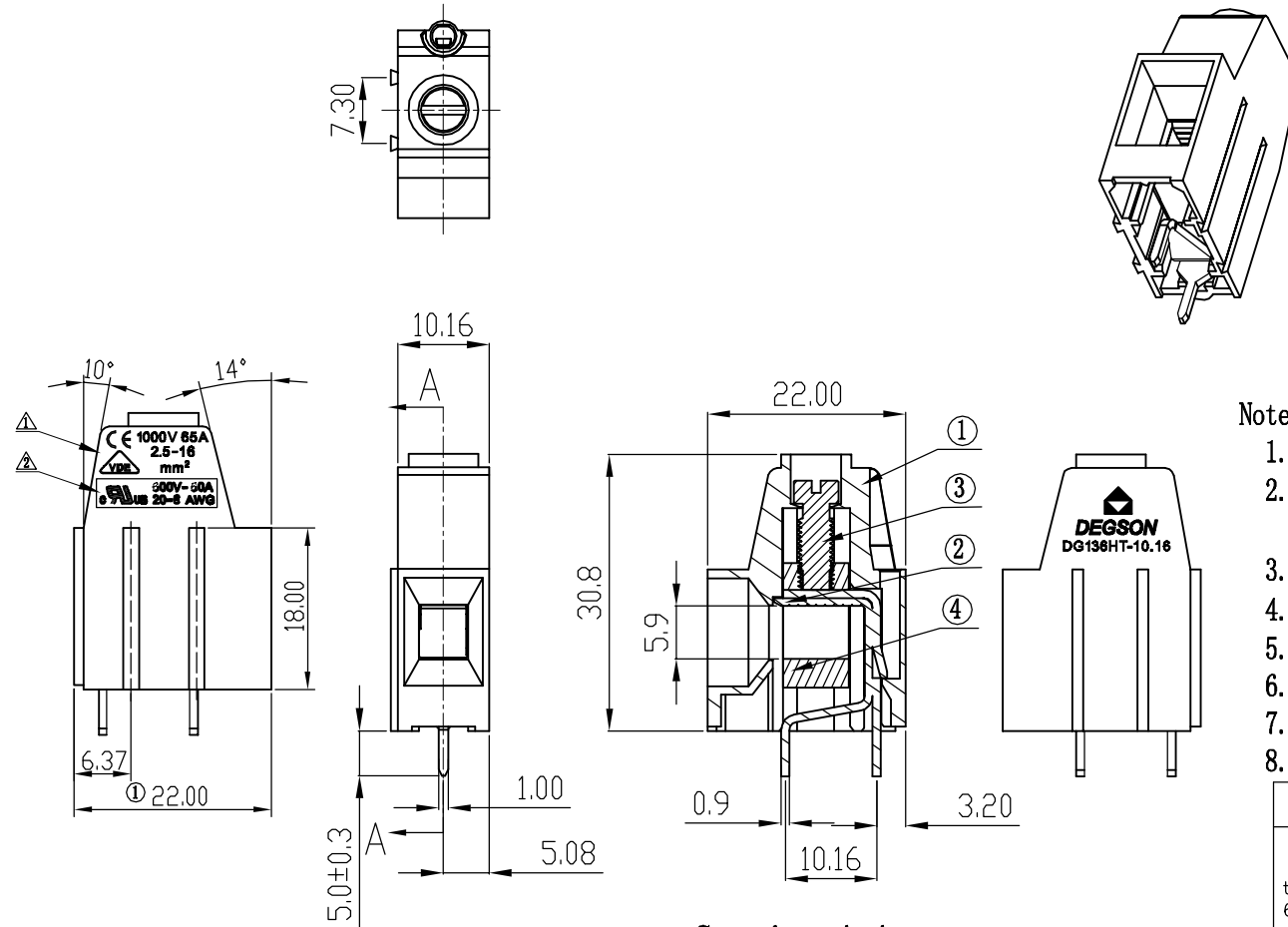


REVISION RECORD					
REV	ECD	DESCRIPTION	DRFT	DATE	
△	D9-0146	方块由PC10-PC6规格方块变为PC10规格方块	YHG	12/08/09*	
△	10-0142	增加印刷字及参数	Lasting Be	07/10/10*	



Notes:

1. Pitch: 10.16mm, Poles: 1P-XXP
2. Rated voltage/current: UL 600V/60A  
IEC 690V/65A
3. Insulation resistance: 5000MΩ/DC1000V
4. Withstanding voltage : AC3000V/1min
5. Temp. Range : -40° C~+105° C
6. Wire Range: 20~6AWG, 16.0mm<sup>2</sup>
7. Max. Torque Value: M4, 12.24kgf. cm
8. Undimensioned Tolerances:

Pitch range in mm		Nominal dimension range in mm						
to	over	over	over	over	over			
6	6 to 10	10 to 24	30 to 60	60 to 100	100 to 150	150		
±0.10	±0.15	±0.25	±0.2	±0.3	±0.5	±0.7	±1	0.05/10

Section A-A

4	PC10 Brass Cage	X000000910 (H)	XX	Brass	Ni plated
3	PC6 M4-Screw	S000001490 (H)	XX	Steel	Ni plated
2	DG136T Pin header	4115B00010 (H)	XX	Copper	SnCe

1	DG136HT Housing	4116A0Y01A (H)	XX	PA66	UL94V-0
ITEM	NAME OF PART	NO. OF PART	Q'TY	MATERIAL	NOTES
DETACHED LISTS	MM (INCH)	DRFT YHG	DATE 06/11/08*	宁波高正电子有限公司 DEGSON ELECTRONICS CO., LTD NAME: DG136HT-10.16-XXP-1Y-00A DRAWING NO. DG136HT-10.16-E01 /PART NO. DO NOT SCALE DRAWING SHEET 1 OF 1	
	TOLERANCES EXCEPT AS NOTED	CHKD	DATE		
	MM	MFD	DATE		
	.0 ±	APPVL	DATE		
	.00 ±	MATERIAL :			
ANGLES ± 1°	G.E :	SCALE : 1:1		SIZE A3	REV T2 07/10/10*
THIRD ANGLE PROJECTION					