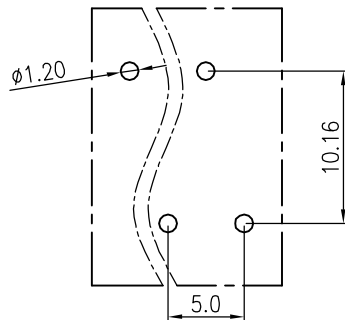
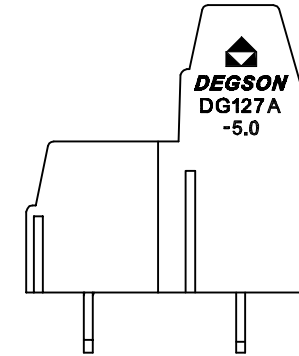
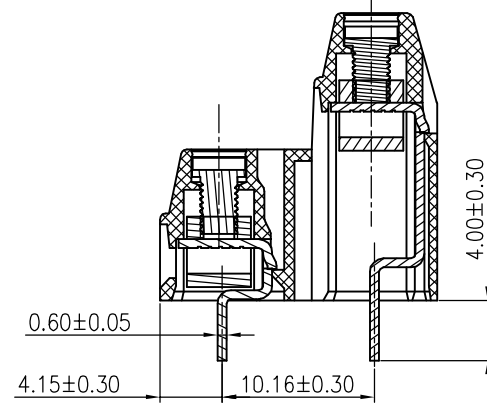
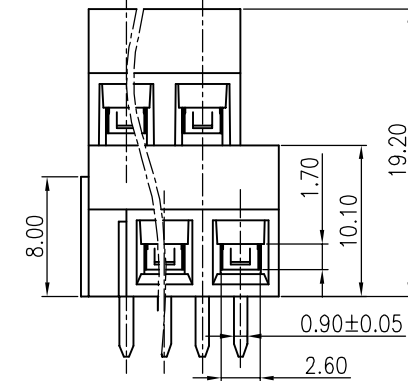
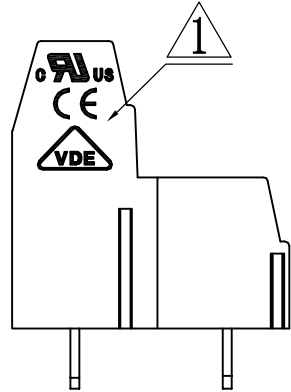
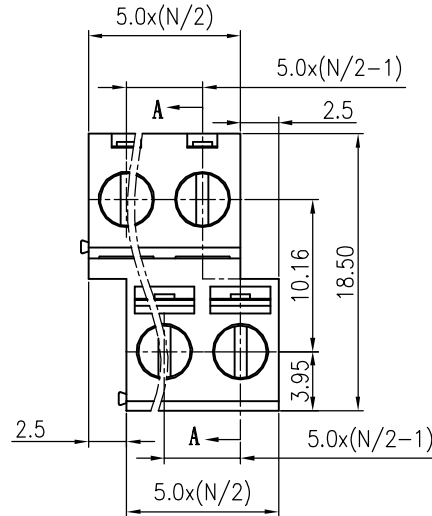
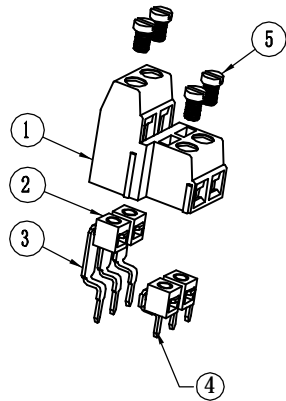


REVISION RECORD					
REV	ECD	DESCRIPTION	DRFT	DATE	
△		增加VDE, UL, CE刻字	Zengy	04/03/08*	

Notes:

1. Pitch: 5.0mm , Poles: 4-XXP
2. Rated voltage/current: UL 300V/12A  
VDE 250V/15A
3. Operation temperatures: -40°C ~ +105°C
4. Withstanding Voltage: AC2000V/1Min
5. Insulation Resistance: 5000M Ω /DC1000V
6. Wire Range: 26-14AWG, 0.5-1.5mm<sup>2</sup>
7. Max. Torque Value: M2.5, 4.08kgf.cm
8. Undimensioned Tolerances:

Pitch range in mm		Nominal dimension range in mm						
	over 6	over 10		over 30	over 60	over 100	over 150	∩
to	to 10	to 24	to 30	to 60	to 100	to 150		◇
±0.10	±0.15	±0.25	±0.2	±0.3	±0.5	±0.7	±1.0	0.05/10



5	DG127 "—"Screws	S000001450(H)	XX	Steel	Cr <sup>3+</sup> Zn
4	DG127-5.08-PIN	4028B00010(H)	XX/2	COPPER	SnCe plated

3	DG127A-5.08-PIN	4107B00010(H)	XX/2	BRASS	SnCe plated
2	DG127 Cage	X000000170(H)	XX	Brass	Ni plated
1	DG127A-5.0-Housing	4106A0YXXA(H)	1	PA66	UL94V-0
ITEM	NAME OF PART	NO. OF PART	Q'TY	MATERIAL	NOTES

DFTO Zh/wm DATE 07/22/08* CHKD DATE MFO DATE APPVL DATE		宁波高正电子有限公司 DEGSON <sup>®</sup> DEGSON ELECTRONICS CO., LTD	
TOLERANCES EXCEPT AS NOTED MM .0 ± ± .00 ± ± .000 ± ±		NAME DG127A-5.0-XXP-1Y-00A(H)	
ANGLES ± 1° G.E :		DRAWING NO. DG127A-5.0-E01 /PART NO.	
FINISH : SCALE : 1:1		DO NOT SCALE DRAWING SHEET 1 OF 1	
DETACHED LISTS THIRD ANGLE PROJECTION		SIZE A3 REV T1 04/03/08*	