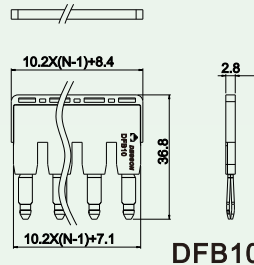
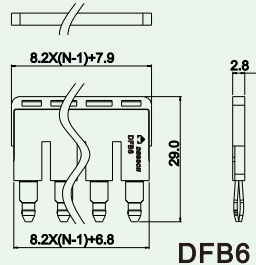
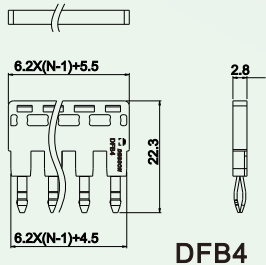
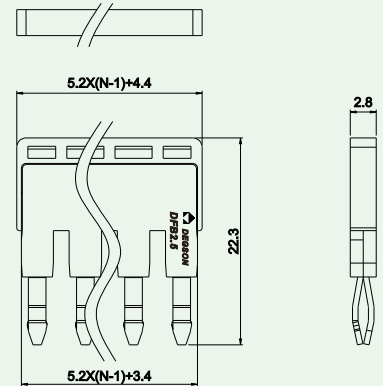
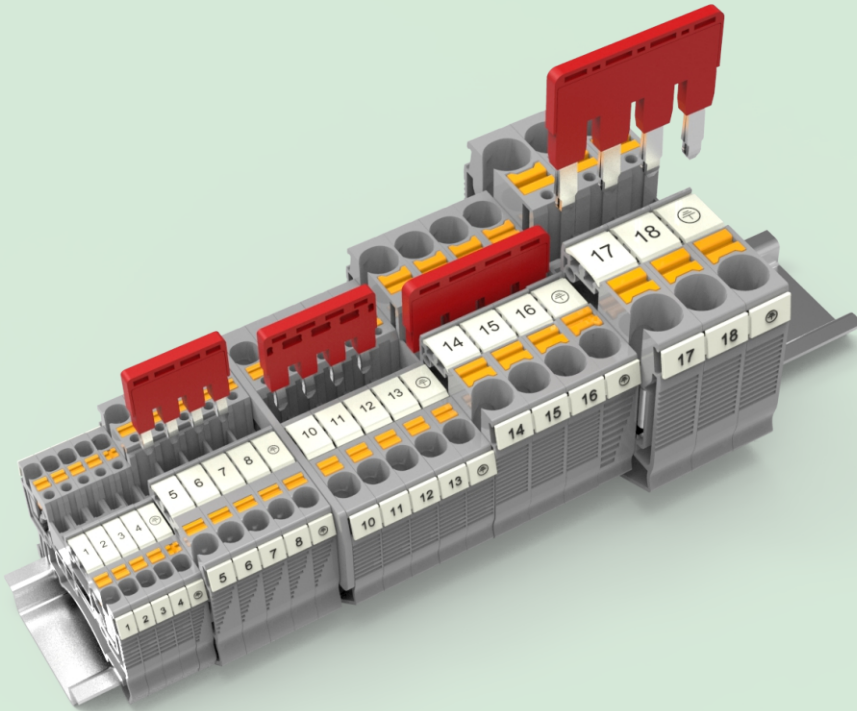


DFB2.5/4/6/10

- 插入式结构，操作方便
- 线数：02P-10P
- Plug-in structure, easy operation
- Poles:02P-10P



技术参数 Technical Data

APPROVAL: CE

型号 Model	线径 Wire range	线数 Poles	IEC60947技术参数(IEC60947 datasheet)		UI1059技术参数(UL1059 datasheet)	
			电压(V) Rated voltage	电流(A) Rated current	电压(V) Rated voltage	电流(A) Rated current
DFB2.5/4/6/10	—	02-10P	—	—	—	—

应用行业 Application

工业自动化、新能源、电力电气、仪器仪表、电梯等行业。

Industrial automation, new energy, electric power, instrument, elevator etc.



产品包装方式 Packing

Product model	Pcs./Pkt.	Product model	Pcs./Pkt.
DFBXX-02P	100	DFBXX-08P	100
DFBXX-03P	100	DFBXX-09P	100
DFBXX-04P	100	DFBXX-10P	100
DFBXX-05P	100		
DFBXX-06P	100		
DFBXX-07P	100		

产品匹配 Counterparts

DFB2.5	DS2.5
DFB4	DS4
DFB6	DS6
DFB10	DS10

型号对照 Cross Reference

DEGSON	同行1/ Competitor1	同行2/ Competitor2
DFB2.5	FBS X-5	DSS2.5N
DFB4	FBS X-6	DSS4N
DFB6	FBS X-8	DSS6N
DFB10	FBS X-10	DSS10N

产品订货 How to order

