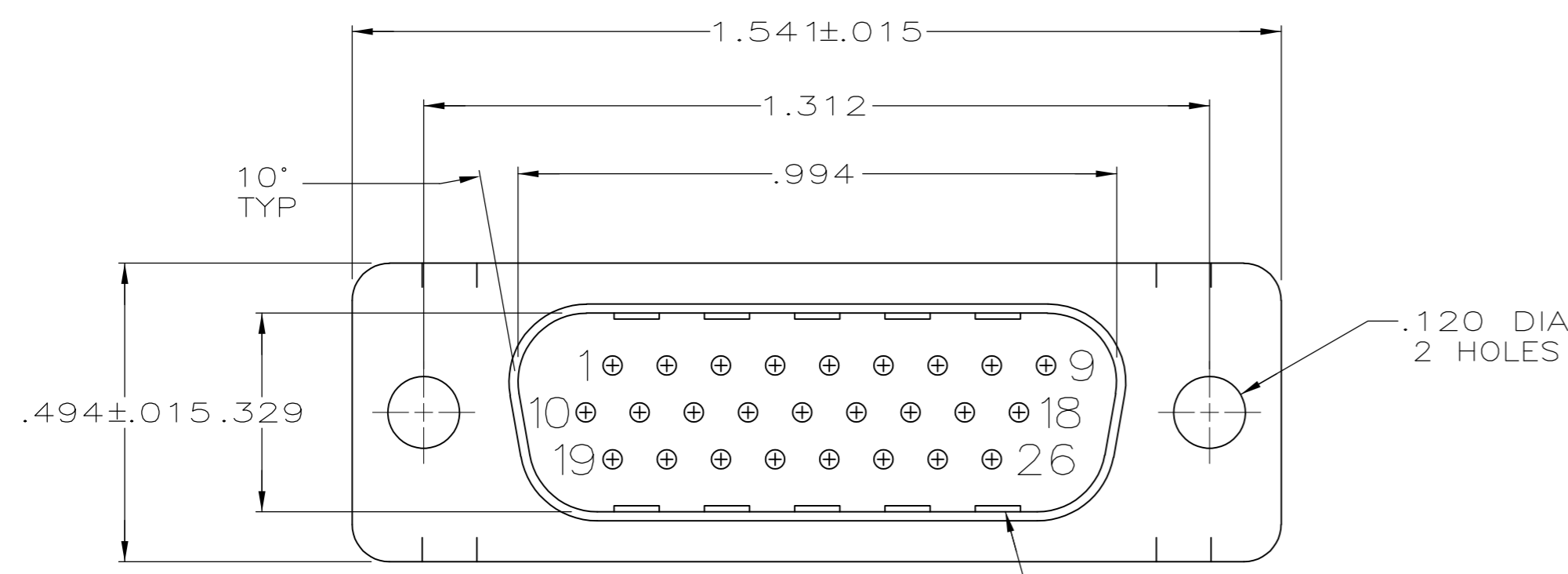
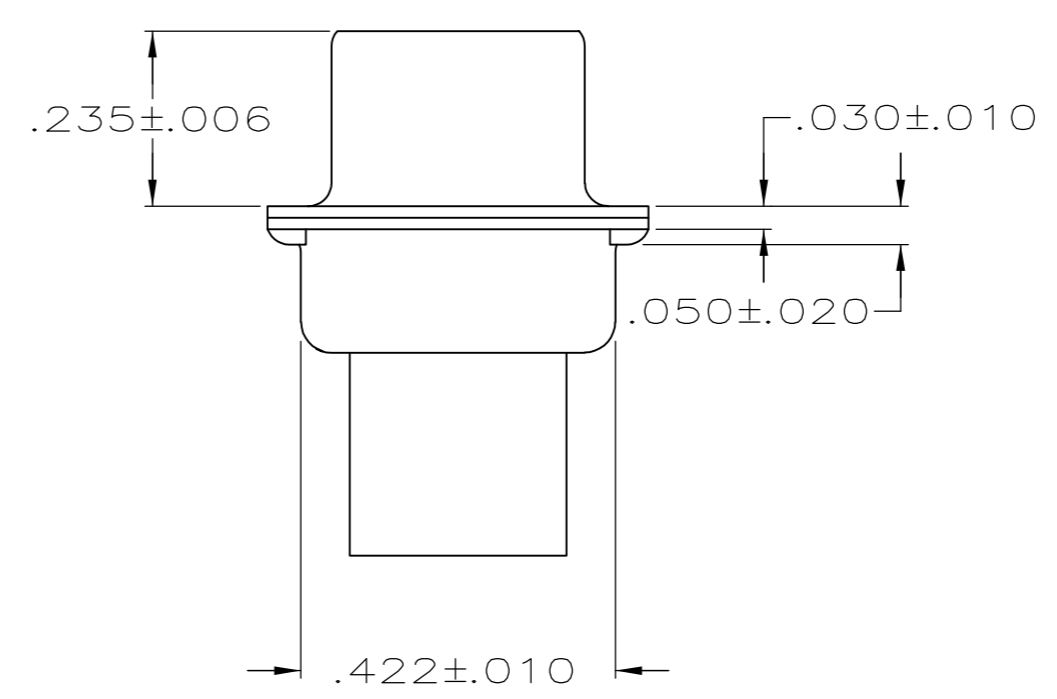
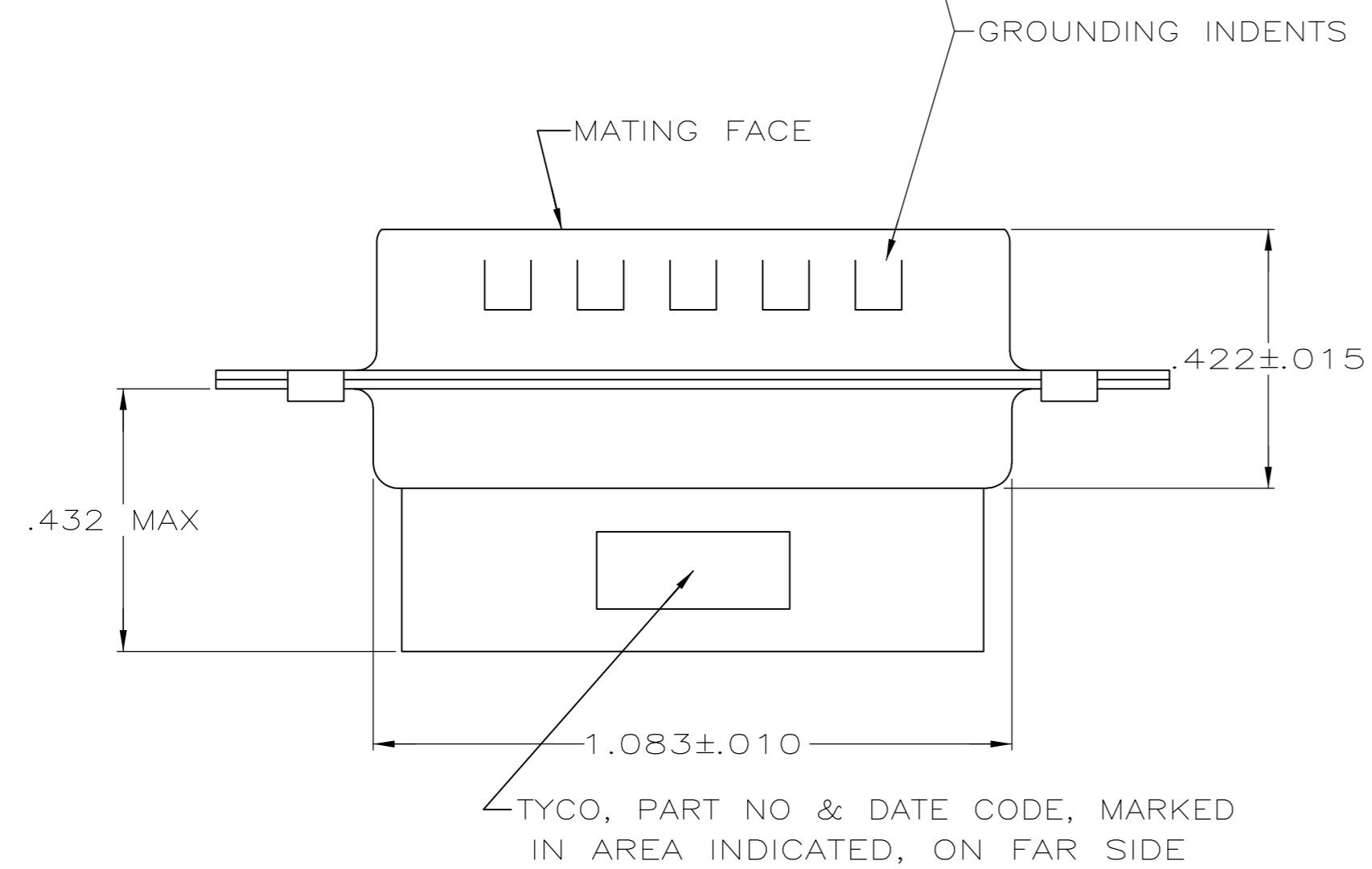


THIS DRAWING IS UNPUBLISHED. RELEASED FOR PUBLICATION
 © COPYRIGHT - By - ALL RIGHTS RESERVED.

LOC	DIST	REVISIONS			
P	LTR	DESCRIPTION	DATE	DWN	APVD
GP	00				
P		REVISED PER ECO-11-004835	11MAR11	RK	HMR



- 1. CONNECTOR ACCEPTS 22 DF PIN CONTACTS, RETENTION TINES ARE AN INTEGRAL PART OF INSERT.
- 2. FLAME RETARDANT 94V-0 RATED GLASS FILLED NYLON, COLOR: BLACK.
- 3. CARBON STEEL.
- 4. .000200 MIN. TIN PLATE OVER .00100. MIN. COPPER UNDERPLATE.



1658671-1
 PART NUMBER

THIS DRAWING IS A CONTROLLED DOCUMENT.		DWN L. BAUM 02JAN04	TE TE Connectivity	
DIMENSIONS: INCHES		CHK S. BOLASH 02JAN04		
TOLERANCES UNLESS OTHERWISE SPECIFIED:		APVD M. WALMSLEY 02JAN04	NAME	
0 PLC ± -		PRODUCT SPEC	PLUG ASSEMBLY, SIZE 2, 26 POSN, HDP-22, AMPLIMITE®	
1 PLC ± -		APPLICATION SPEC	SIZE	CAGE CODE
2 PLC ± -		114-10001	A2	00779
3 PLC ± .005		WEIGHT	DRAWING NO	
4 PLC ± -		-	C=1658671	
ANGLES ± 2°		CUSTOMER DRAWING	SCALE	SHEET
FINISH			4:1	1 of 1
MATERIAL			REV	P
MOLDED PARTS: 2				
SHELLS: 3				

1658671

Mouser Electronics

Authorized Distributor

Click to View Pricing, Inventory, Delivery & Lifecycle Information:

[TE Connectivity:](#)

[1658671-1](#)