

Wire-Wound Potentionmeter Series

KLS4-3540 Wire-wound Precision Potentiometer 3540 Series

Characteristics

Electrical Characteristics

Standard Resistance Range: 100Ω-100KΩ

Resistance Tolerance: ±5%

Independent Linearity: ±0.5%

Effective Electrical Travel: ≥3600° - 10°

Terminal Resistance: ≤0.2%R or 5Ω

Noise: ≤3%R or 3Ω

Insulation Resistance: R1 ≥1GΩ

Winthstand Voltage: 101.3Pa 710V, 8.5kPa 470V

Enviornment Characteristics

Rated Power: +70°C 2W, +125°C OW

Temperature Range: -55°C ~ +125°C

Temperature Coefficient: ±100ppm/°C

Temperature Variation: ΔR ≤ ±2%R, Δ(Uab/Uac) ≤ ±1%

Vibration: 390m/s², 4000 cycles, ΔR ≤ ±1%R

Collision: 10—500HZ, 0.75mm or 98m/s², 6h,

ΔR ≤ ±1%R, Δ(Uab/Uac) ≤ ±2%

Climate Category: ΔR ≤ ±3%R, R1 ≥100MΩ

Electrical Endurance at 70°C: 2W, 1000h, ΔR ≤ ±3%R

Mechanical Endurance: 10000 cycles, ΔR ≤ ±3%R

Steadydamp-heat: ΔR ≤ ±3%R, R1 ≥100MΩ

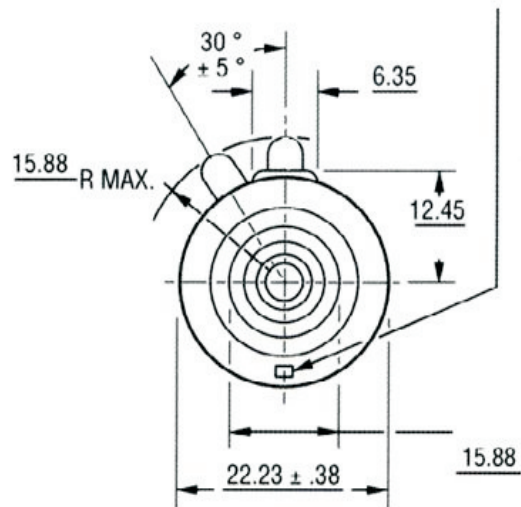
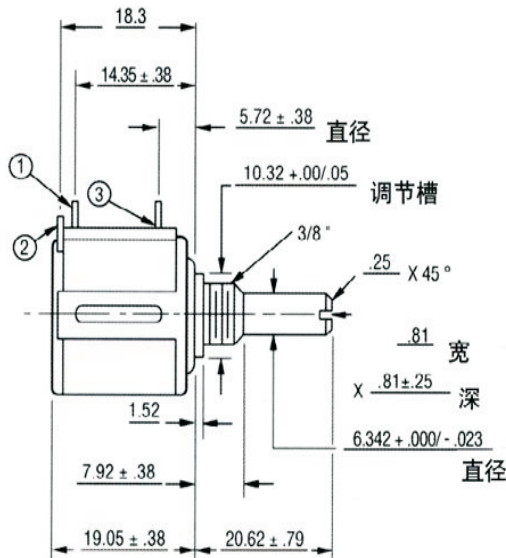
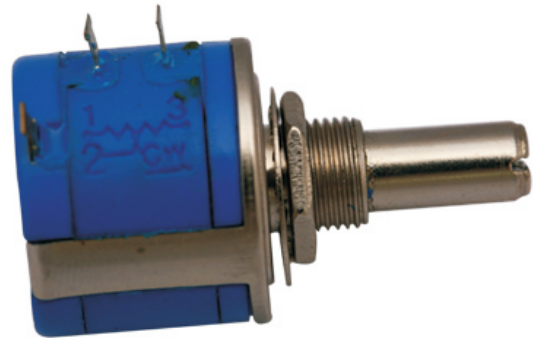
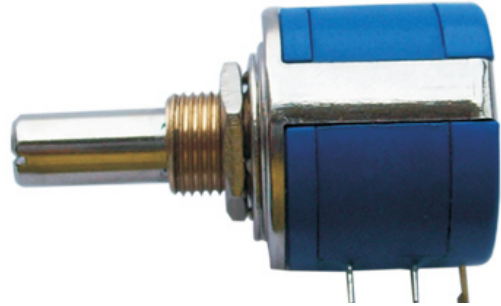
Physical Characteristics

Total Mechanical Travel: 3600° ±10°

Staring Torque: ≤36mN·m

Clutch Torque: ≥300mN·m

Standard Packaging: 25 pcs/box



ORDER INFORMATION

Product No.: **L-KLS4-3540S-103**

Pos. No. _____ 103: Resistance Code
3540 Series _____ S: Style