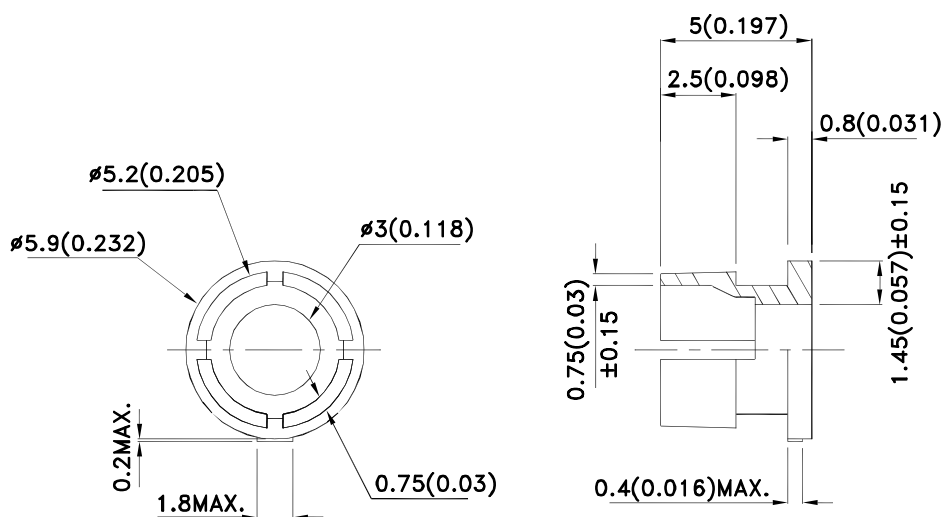


Part Number: CB-30

### Features

- Suitable for back panel illumination, circuit board indicator, LED indicator.
- Housing UL rating: 94V-0.
- Housing material: type 66 nylon.
- Recommended hole size:  $\Phi 4.8\text{mm}$ .
- RoHS compliant.

### Package Dimensions



#### Notes:

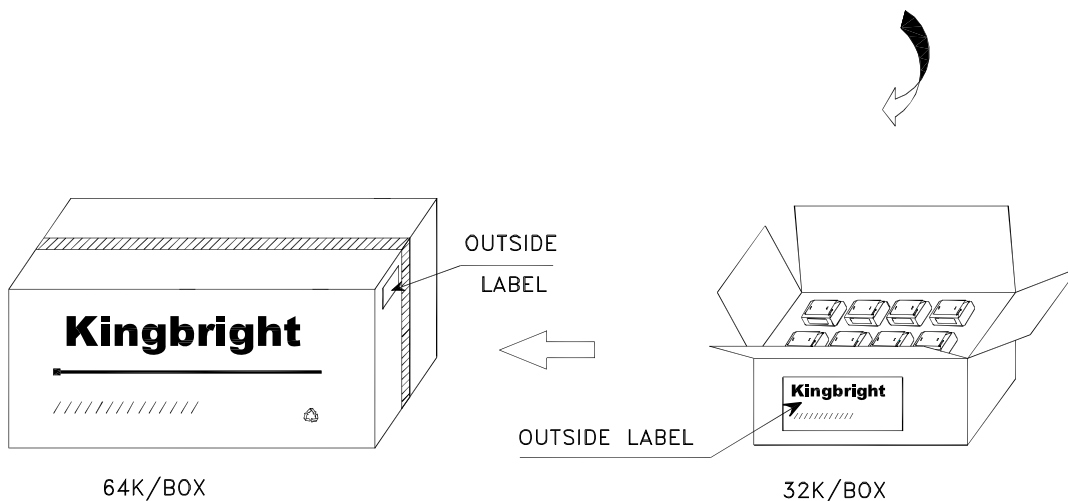
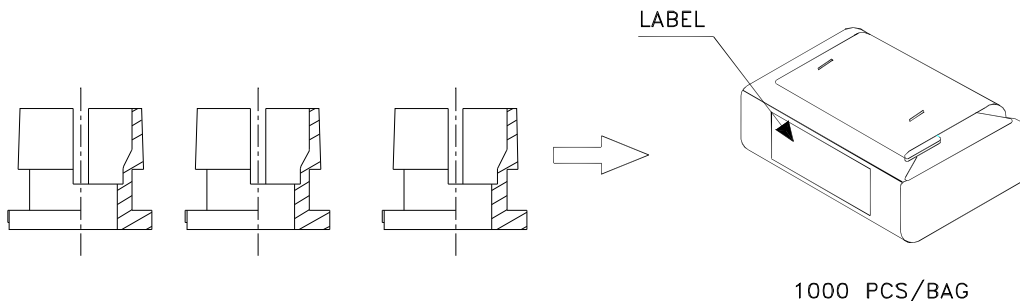
1. All dimensions are in millimeters (inches).
2. Tolerance is  $\pm 0.25(0.1")$  unless otherwise noted.
3. The specifications, characteristics and technical data described in the datasheet are subject to change without prior notice.



# Kingbright

## PACKING & LABEL SPECIFICATIONS

CB-30



<h1>Kingbright</h1>					
P/NO: CB-30					
QTY: 1000 pcs	Q.C.	<table border="1" style="margin: auto;"> <tr> <td style="text-align: center;">Q C</td> </tr> <tr> <td style="text-align: center;">xx xx xxxx</td> </tr> <tr> <td style="text-align: center;">PASSED</td> </tr> </table>	Q C	xx xx xxxx	PASSED
Q C					
xx xx xxxx					
PASSED					
S/N: XXXX					
CODE: XXX					
LOT NO:					
xxxxxxxxxxxxxxxxxxxxxxxxxxxx					
RoHS Compliant					