

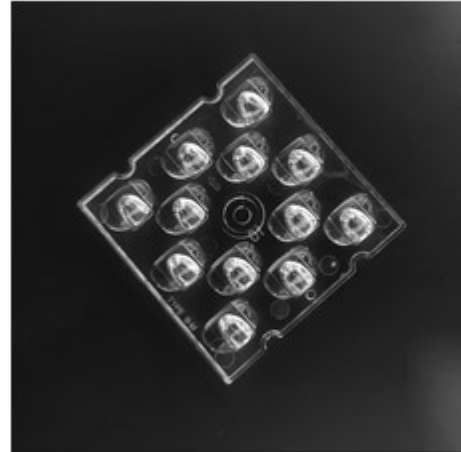
DATASHEET

Street Light Lens

S01.01.01.029 _SL-50X50-12-T2M

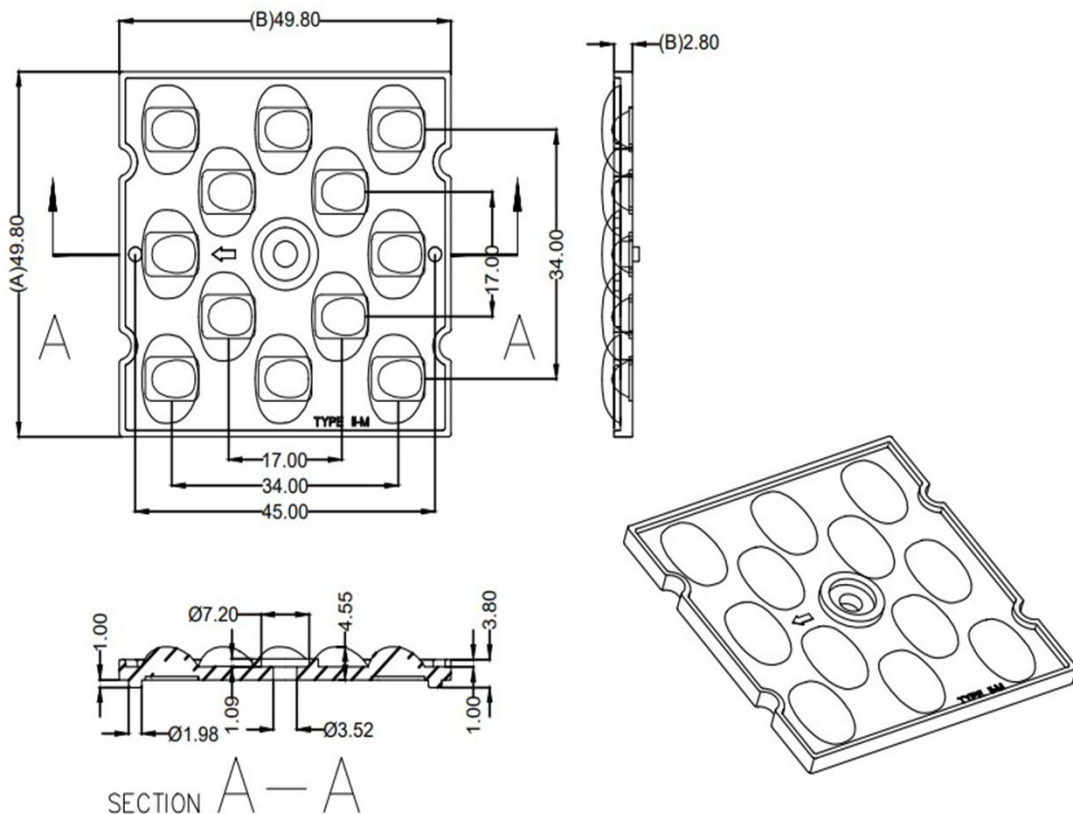
1.General Information

- ✓ Lens Material: PC
- ✓ Size: 50X50(MM)
- ✓ Beam angle: T2M°
- ✓ Compatibility: Luxeon3030
- ✓ Efficiency: 93%
- ✓ Fasten: Screw
- ✓ IP class: N/A
- ✓ Seal: N/A
- ✓ RoHS: YES
- ✓ Color: CLEAR



2.MECHANICAL SPECIFICATION

UNIT:MM



3.OPTICAL DATA

1) Simulation Data

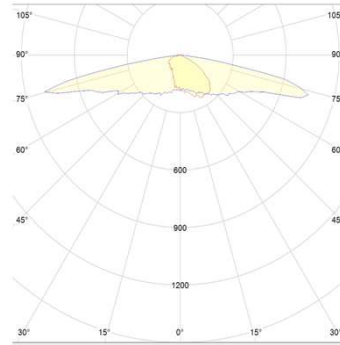
Brand: Luxeon

LED model: 3030

Light colour: White

FWTM: H167.6°,V111.8°

FWHM: H22.1°,V78.4°



2) Test Data

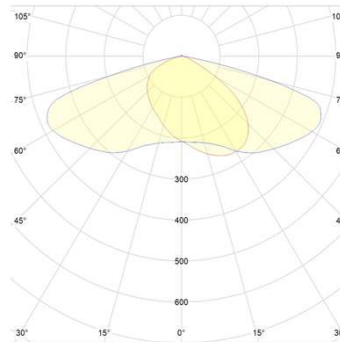
Brand: Luxeon

LED model: 3030

Light colour: White

FWTM: H159°,V127°

FWHM: H148.5°,V94.4°



4.Usage and Maintenance

- 1) If necessary, clean lenses with mild soap, water and soft cloth.
- 2) Never use any commercial cleaning solvents on lenses, like alcohol.
- 3) Please handle lens with wearing gloves, skin oils may damage lens or its optical characteristic.

5.Note

Please test the data again before using. The chart data is for reference only.