

1

2

3

4

REVISION

POSITION

DESCRIPTION

DATE

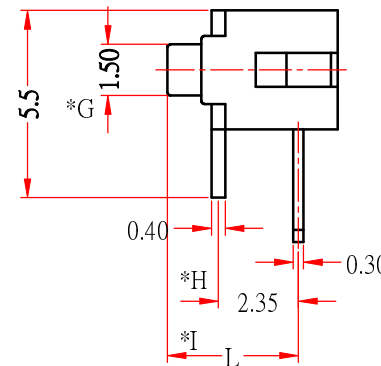
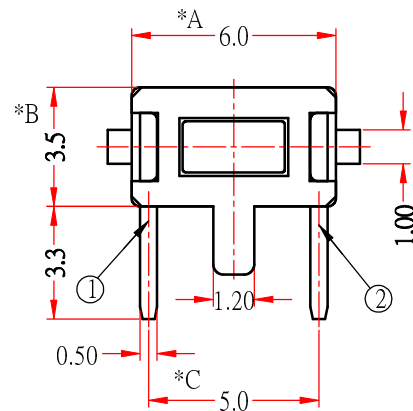
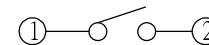
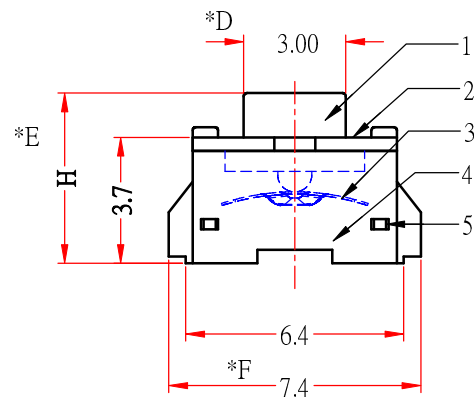


Table 1: stem height

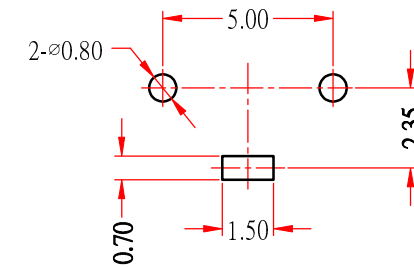
ITEM	L (value)	H (value)
stem height	3.15mm	4.3mm
	3.85mm	5.0mm

Table 2: operating force

F=	I	100gf
(force)	L	130gf
	S	180gf
	H	250gf



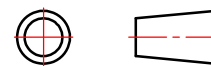
SCHEMATIC



P.C.B.LAYOUT

*CRITICAL DIMENSION

CHI FUNG ELECTRONICS CO.,LTD.



7				
6				
5	TERMINAL	BRASS STRIP	2	Ag COATING
4	CASE	PA66	1	BLACK/WHITE
3	CONTACT	SUS301	1	Ag CLAD
2	COVER	SPCC	1	Sn COATING
1	STEM	PA66	1	BLACK/WHITE
NO.	PART NAME	MATERIAL	QTY	FINISHING

SERIES :TACT SWITCH

DRAWING NO: CF-ENL-TS4497

PART NAME: TS-1101HV-LF

GENERAL TOLERANCE

UNIT : M M

DWN.

SCALE : 5:1

CHK'D

REV : A/0

APPD.

WITHIN 0.XXmm?.15mm

OVER 0.Xmm?.25mm

1

2

3

4