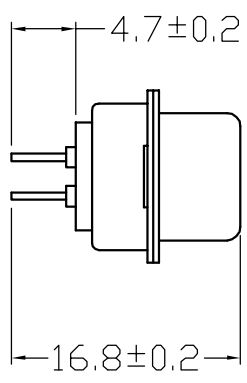
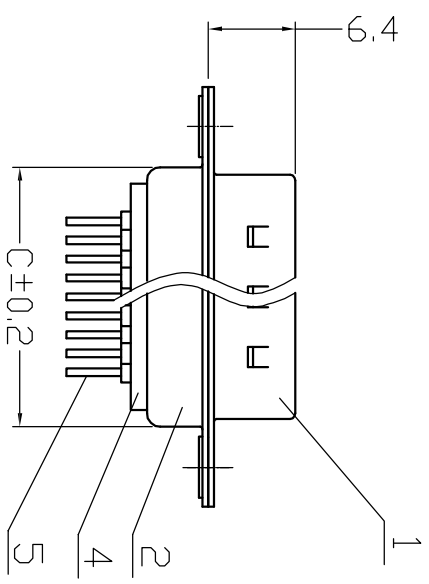
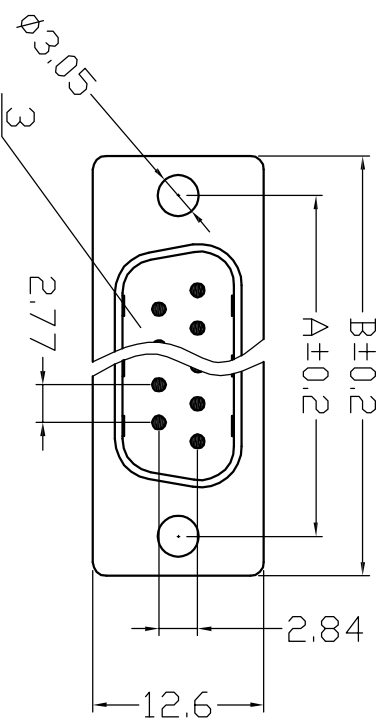


序号/RevNo	名称/Title	文件编号/Title No.
1	上铁壳	
2	下铁壳	
3	101M耐料塑件	
4	101M后料塑件	
5	101M端子	



Position	A	B	C
9	24.99	30.81	19.36
15	33.32	39.20	27.64
25	47.04	53.10	41.08
37	63.50	69.50	57.38

Specifications:
 Contact Resistance: 30mΩ max. at DC 100 mA
 Insulator Resistance: 1000MΩ min. at DC 500V
 Current Rating: 5AMP
 Dielectric Withstanding Voltage: AC 1000V For 1 minute
 Operating Temperature: -55°C ~ +105°C
 Contact: Brass
 Housing: PBT (Black) & 30% Glass Fiber (UL 94V-0)

设计/Designed by 新莱亚电子 XINILAIYA ELECTRONIC CO., LTD	绘图/Drawing by	审核/Checked by	批准/Approved by	备注/Remark
图名/Title 101M产品图	文件编号/File No.	页序/Sheet	单位/Unit: mm	
公差/General Tolerances x: ±0.2 x: ±0.1 .xx: ±0.05 .xxx: ±0.01				