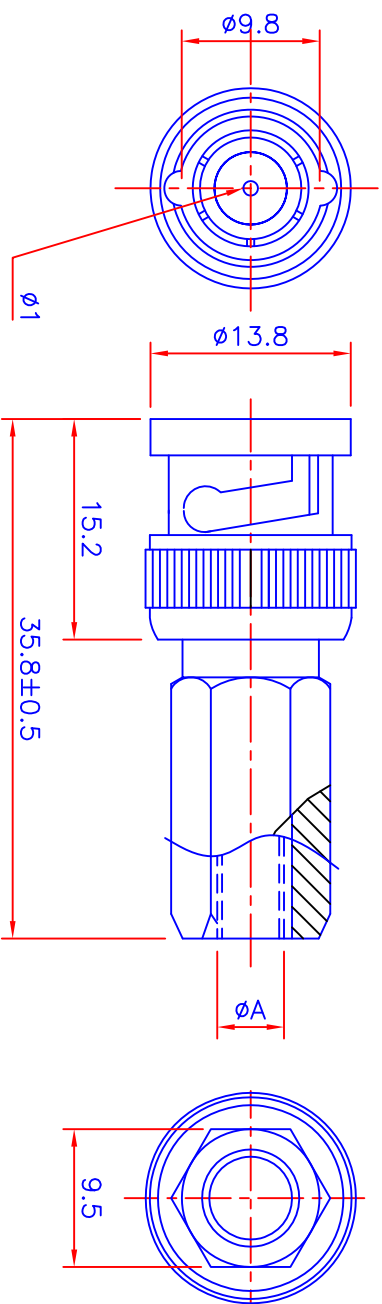


# HOW TO ORDER

TL4216-□-ZDNG

RG	TEETH	"A"
58	M5x1.0	ø4.6
59	RG59U 1/4"	ø5.5
6	RG6U M7x1.0	ø6.3



PS: BNC MALE TWIST ON ZINC TYPE



UNLESS OTHERWISE SPECIFIED  
GENERAL TOLERANCES  
0.5~6 = ±0.2  
>6~30 = ±0.4  
>30~120 = ±0.6

5	RUBBER	PVC							
4	SPRING PLATE	SK-5							NI
3	WASHER	STEEL							NI
2	INSULATOR	POM RESIN							
1	BODY	ZINC							NI
NO.	DESCRIPTION	QTY	MATERIAL						REMARK
DRAW BY	CHUN	0602110	SCALE	1 : 2					ITEM NO.
DEGN BY	YANG		UNIT	MM					TL4216-□-ZDNG
APPD BY	RAY								BNC CONNECTORS
									TL4216-□-ZDNG
									-TN05-A1

同利企業有限公司

TELE LONG ENTERPRISE CO.,LTD

DATE	DRAWG BY	REVISED	△
------	----------	---------	---

(B008)