

N FEMALE CRIMP TYPE

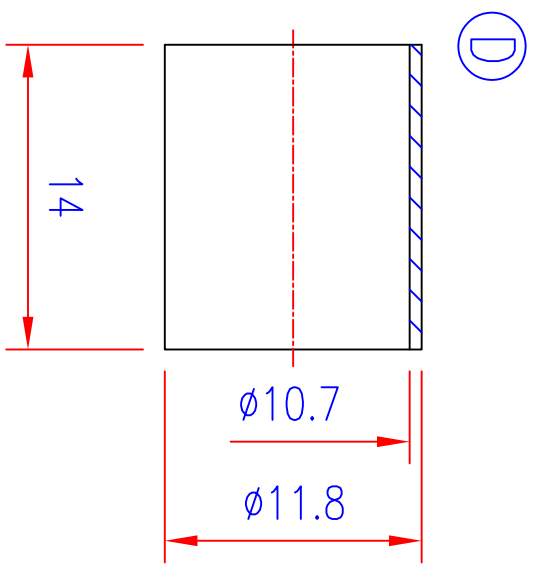
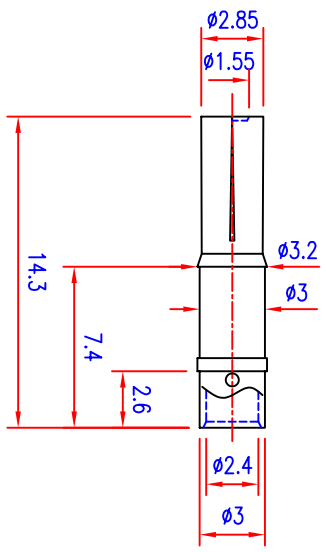
4	BODY	1	BRASS						
3	INSULATOR	1	TEFLON						
2	PIN	1	GOLD						
1	RING	1	BRASS						
NO.	DESCRIPTION	QTY	MATERIAL	SPECIFICATION	REMARK				
DRAW BY	CHUN	020110	SCALE	3 : 1					
DEGN BY	YANG								
APPD BY	RAY		UNIT	MM					

同利企業有限公司

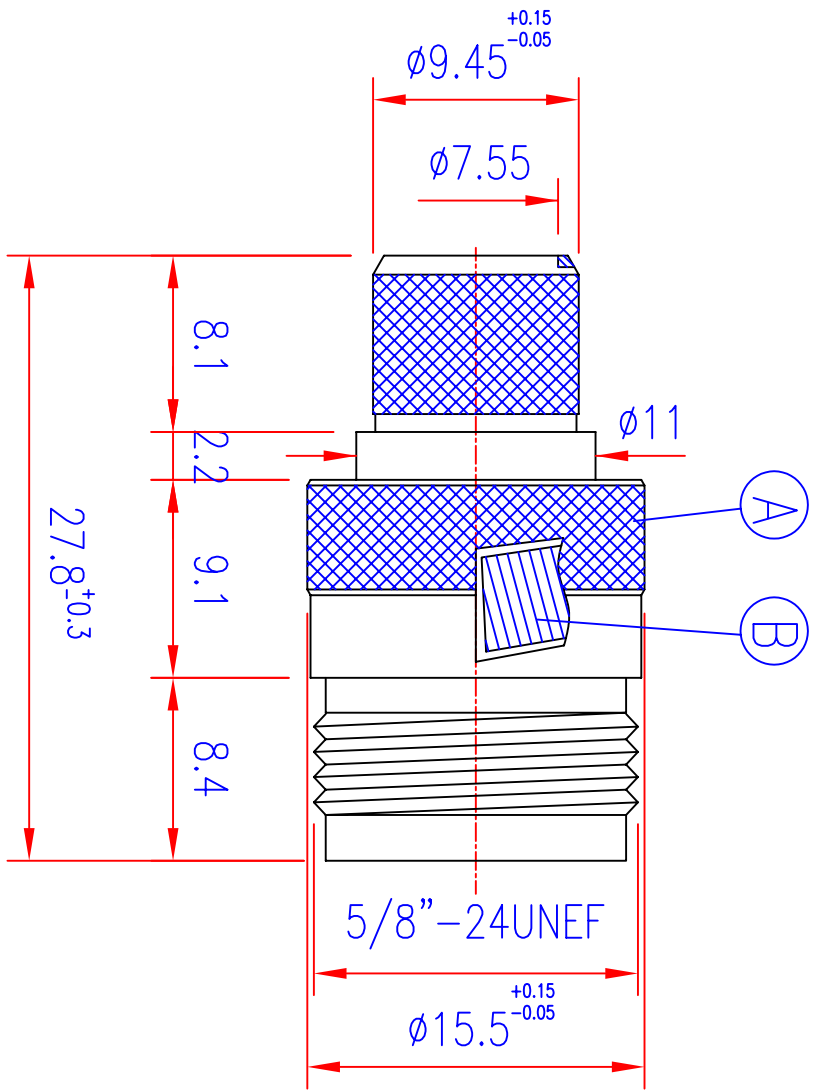
TELE LONG ENTERPRISE CO.,LTD

DATE	DRAWG BY	REVISED	△
------	----------	---------	---

DWG NO.	TL4482-58-BTNG -TNS01-A1
TITLE	N CONNECTOR
ITEM NO.	TL4482-58-BTNG



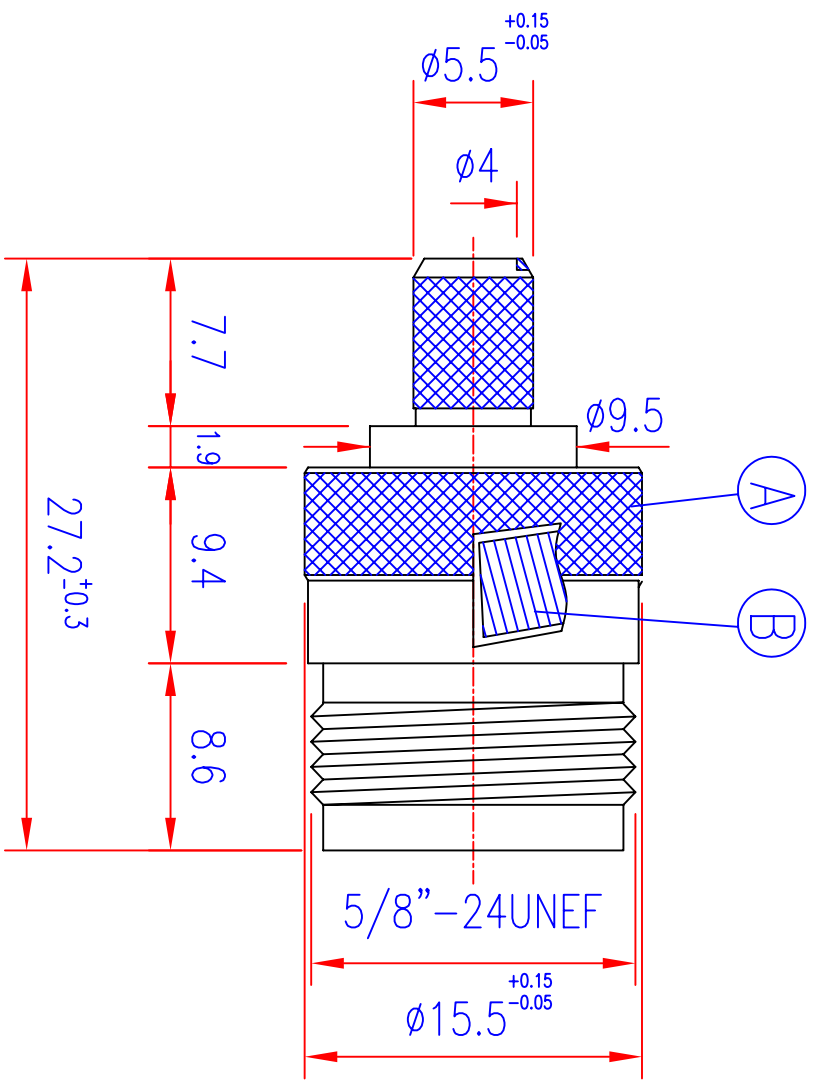
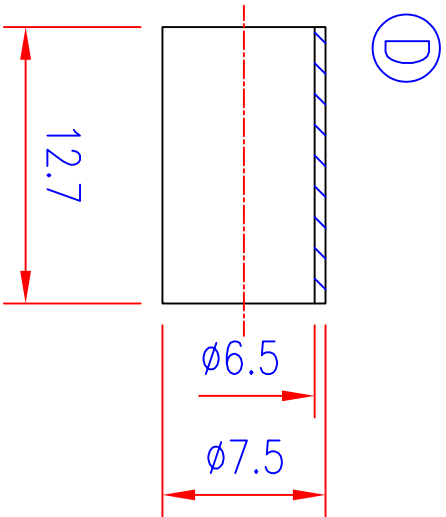
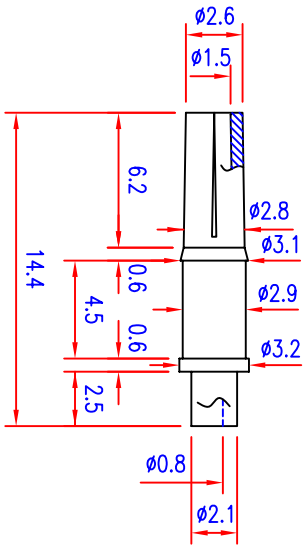
UNLESS OTHERWISE SPECIFIED
 GENERAL TOLERANCES
 0.5~6 = ± 0.2
 >6~30 = ± 0.4
 >30~120 = ± 0.6



N FEMALE CRIMP TYPE

4	BODY	1	BRASS					
3	INSULATOR	1	DELTRIN					
2	PIN	1	GOLD					
1	RING	1	BRASS					
NO.	DESCRIPTION	QTY	MATERIAL	SPECIFICATION	REMARK			
DRAW BY	周維君	030508	SCALE	3 : 1	ITEM NO.	TL4482-213-BDNG		
DEGN BY			PROJ		TITLE	N CONNECTOR		
APPD BY			UNIT	MM				

DATE	DRAWG BY	REVISED	同利企業有限公司	TELE LONG ENTERPRISE CO.,LTD	DRAWING NO.	TL4482-213-BDNG
				E-mail: rayyang@seed.net.tw		-TNS61-A



N FEMALE CRIMP TYPE

UNLESS OTHERWISE SPECIFIED
GENERAL TOLERANCES
0.5~6 = ± 0.2
>6~30 = ± 0.4
>30~120 = ± 0.6

4	BODY	1	BRASS					
3	INSULATOR	1	DELTRIN					
2	PIN	1	GOLD					
1	RING	1	BRASS					
NO.	DESCRIPTION	QTY	MATERIAL	SPECIFICATION	REMARK			
DRAW BY	周麗君	030508	SCALE	3 : 1	ITEM NO.	TL4482-59-BDNG		
DEGN BY			PROJ		TITLE	N CONNECTOR		
APPD BY			UNIT	MM				

DATE	DRAWNG BY	REVISED	同利企業有限公司	TELE LONG ENTERPRISE CO.,LTD	DRAWING NO.	TL4482-59-BDNG
				E-mail: rayyang@seed.net.tw		-TNS61-A