

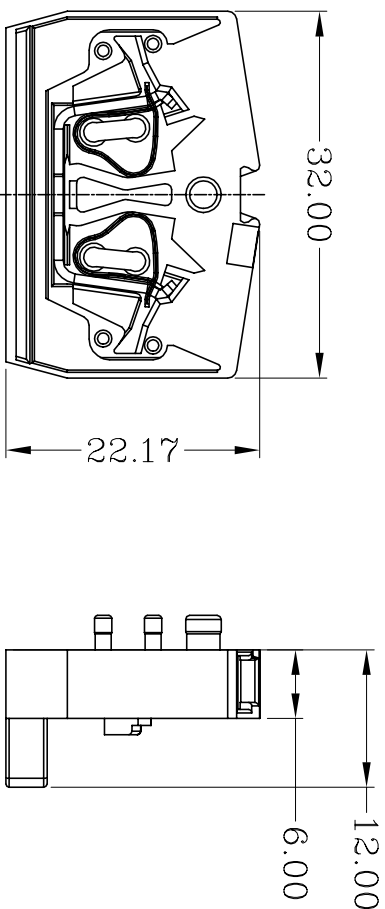
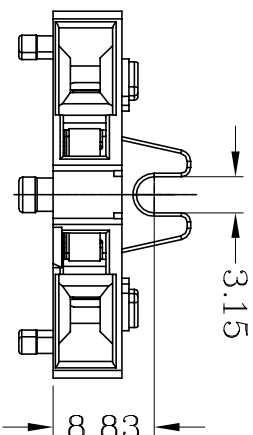


宁波速普电子有限公司

NINGBO SUPPU ELECTRONICS.CO.,LTD

产品规格书

Product Specification



IEC 额定数据 / IEC Rated data

接线范围/Wire range	0.2-2.5mm ²
单股导线/Solid	0.2-2.5mm ²
软导线/Stranded	0.2-2.5mm ²
带端头软导线/Stranded with ferrules without plastic sleeve	0.2-1.5mm ²
带预绝缘端头软导线/Stranded with ferrules with plastic sleeve	0.2-1.5mm ²
剥线长度/Strip length	8-9mm
额定电压/Rated voltage	800V
额定电流/Rated current	24A
额定脉冲耐受电压/Rated surge voltage	8KV
污染等级/Pollution degree	3
过电压类别/Surge voltage category	III
UL 额定数据/UL Rated data	B C D
额定电流/Rated current	20A 20A —
额定电压/Rated voltage	600V 600V —
接线范围/Wire range	28-12AWG
其他信息/Other information	
塑件/Housing	PA66
触点材料/Contact	铜合金/Copper alloy
镀层/Coating	锡/Tin Plated
阻燃等级/Flame retardant rating	UL94-V0
使用环境温度/Usage ambient temperature	-40℃ - +105℃
认证/Approval	

订货信息 Order Info

订货号 PART NUMBER	颜色 COLOR	未标注公差参照GB/T14486														
254301	灰色 Gray	基本尺寸	0-3	3-6	>6-10	>10-14	>14-18	>18-24	>24-30	>30-40	>40-50	>50-65	>65-80	>80-100	>100-120	>120-140
		公差	±0.08	±0.09	±0.10	±0.12	±0.14	±0.16	±0.18	±0.21	±0.24	±0.28	±0.32	±0.36	±0.41	±0.46

	Rev. 01	Name
单位/Unit	mm	254301 系列带固定器正面接线端子 254301 series through terminal blocks with fixing flanges of front-entry