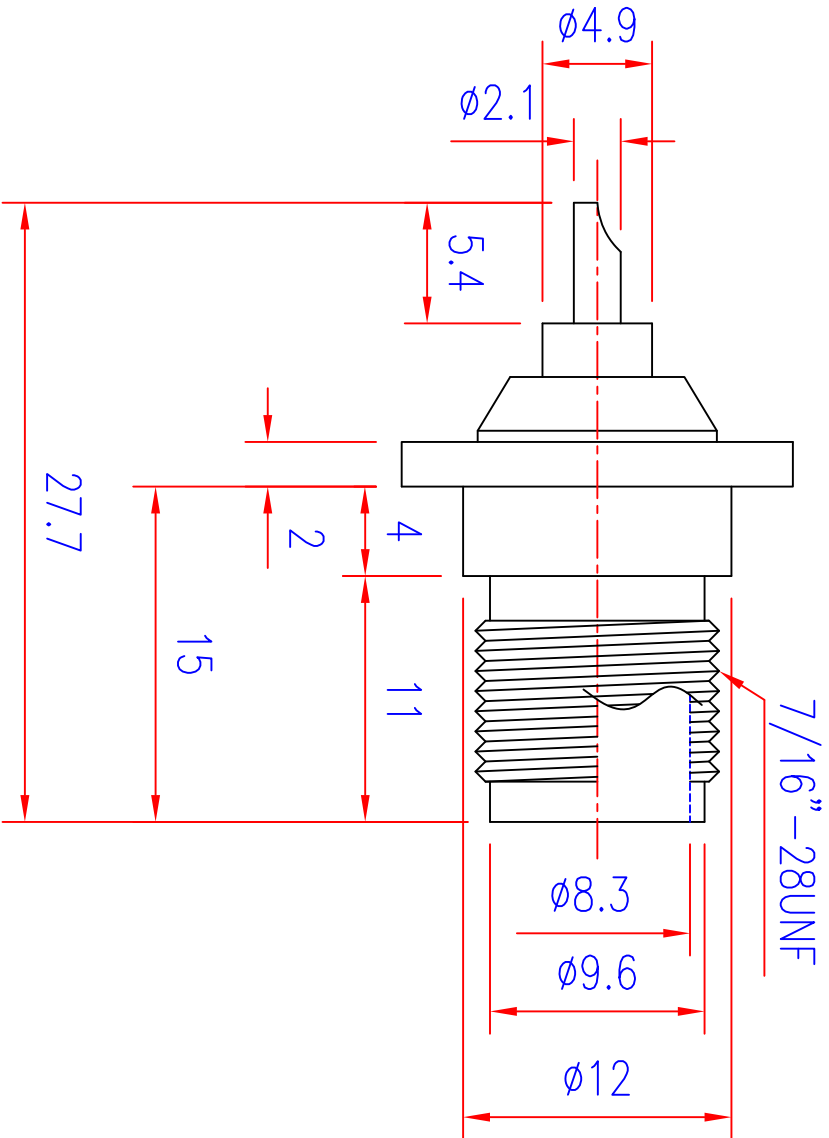
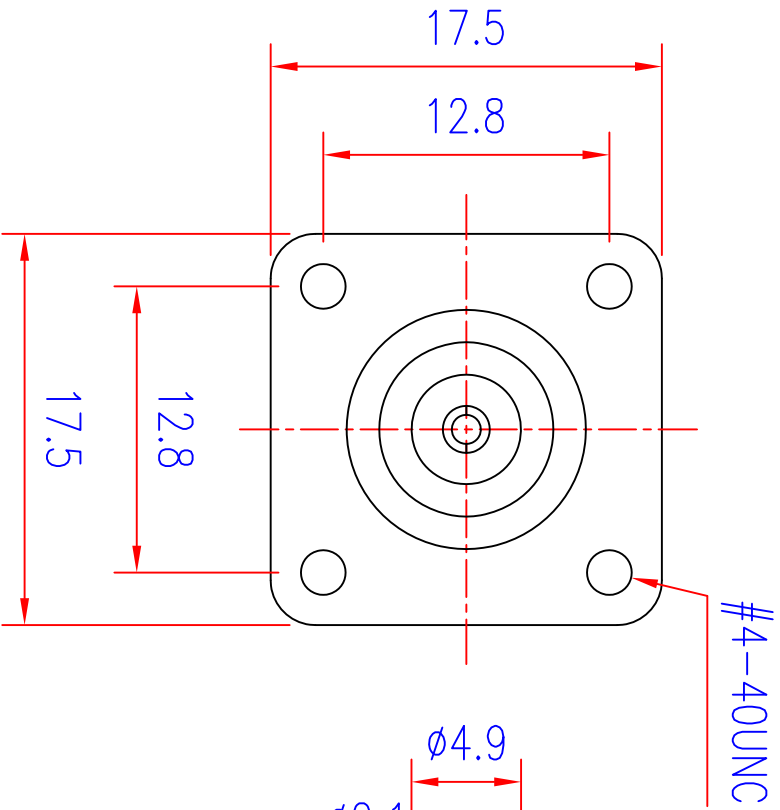


SPECIFICATION  
 TNC FEMALE CONNECTOR  
 DELRIN INSULATION , CHASSIS MOUNT , NICKEL PLATED  
 TNC 母, 塑膠絕緣, 本體:鍍鎳, 接觸點:鍍金



UNLESS OTHERWISE SPECIFIED  
 GENERAL TOLERANCES  
 0.5~6 = ±0.2  
 >6~30 = ±0.4  
 >30~120 = ±0.6

NO.	DESCRIPTION	QTY	MATERIAL	SPECIFICATION	REMARK
DRAW BY	周國君	051308	1 : 3		TL4537-BDNG
DEGN BY					
APPD BY		UNIT	MM		TNC CONNECTOR

DATE	DRAWG BY	REVISED	同利企業有限公司	TELE LONG ENTERPRISE CO.,LTD	DRAWING NO.	TL4537-BDNG-TN07-A
------	----------	---------	----------	------------------------------	-------------	--------------------