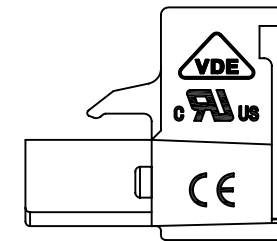
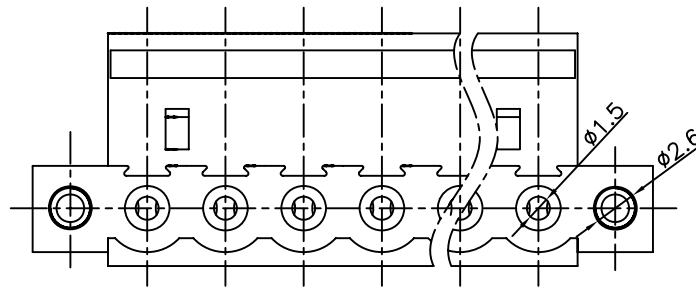
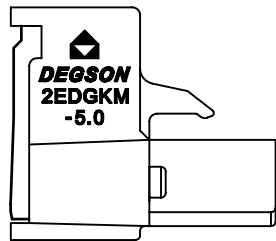
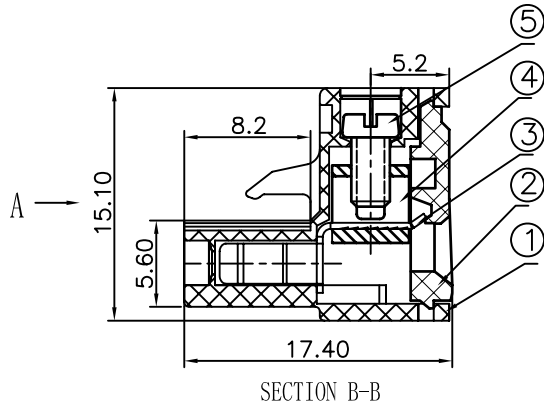
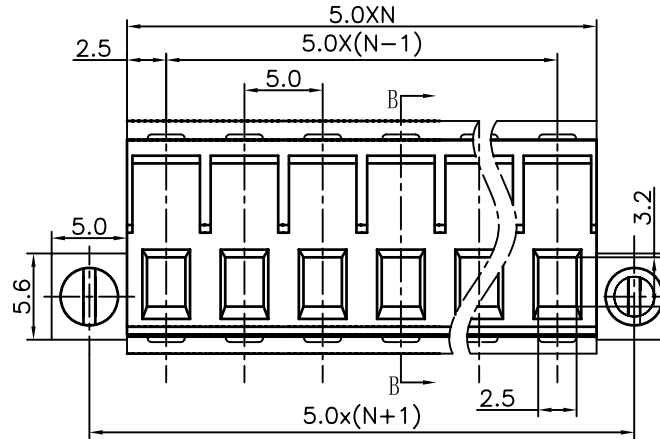
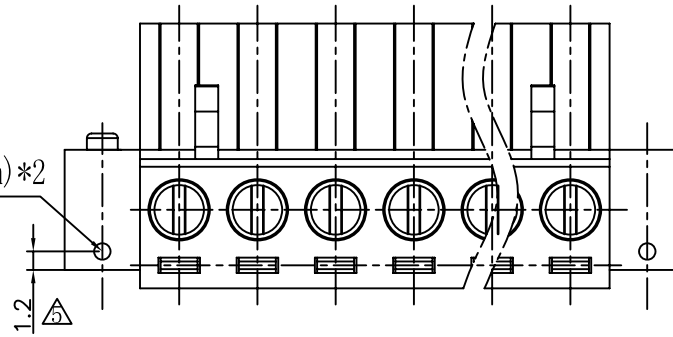


REVISION RECORD					
REV	ECO	DESCRIPTION	DRFT	DATE	
△		根据螺丝全图改为横置白锌的螺丝, 螺丝料号由S0000020变更为S00001370	CSX	07/13/05*	
△		Drawing revise	csx	04/05/06*	
△		1006COYXXA→1016COYXXA	YeJ	11/29/06*	
△		增加VDE、CE刻字	YeJ	02/25/08*	
△		增加防脱卡点位置尺寸标注	WLM	02/06/09*	

Drill hole  
(Max  $\varnothing 0.8 \times 1.2\text{mm}$ ) \*2



Notes:

- Pitch: 5.0mm, Poles: 2-24P
- Rated voltage/current: UL 300V/15A  
VDE 320V/20A
- Operation temperatures:  $-45^{\circ}\text{C} \sim +105^{\circ}\text{C}$
- Withstanding Voltage: AC2000V/1min
- Insulation Resistance:  $5000 \Omega / \text{DC}1000\text{V}$
- Wire Range: 28~12AWG, 2.5mm<sup>2</sup>
- Max. Torque Value: M2.5, 4.08kgf.cm
- Undimensioned Tolerances:

Pitch range in mm		Nominal dimension range in mm						
to	to	to	to	to	to	to		
6	10	10	24	30	60	100	150	∩
±0.10	±0.15	±0.25	±0.2	±0.3	±0.5	±0.7	±1.0	□

ITEM	NAME OF PART	NO. OF PART	Q"TY	MATERIAL	NOTES
5	2EDG—Screw-M2.5	S000001370 (H)	XX+2	Steel	Cr <sup>3+</sup> Zn
4	DG128 Brass Cage	X000000020 (H)	XX	Brass	Ni plated
3	2EDG Contact	1005B00010 (H)	XX	Phoshor Bronze	Ni plated
2	2EDGK-5.0-Cover	1016COYXXA (H)	1	PA66	UL94V-0

1	2EDGKM-5.0-Housing	1020A0YXXA (H)	1	PA66	UL94V-0
<p>DEGSON® 宁波高正电子有限公司 DEGSON ELECTRONICS CO., LTD</p> <p>NAME: 2EDGKM-5.0-XXP-1Y-00A (H)</p> <p>DRAWING NO. 2EDGKM-5.0-E01 /PART NO.</p> <p>SCALE: 1:1</p> <p>DO NOT SCALE DRAWING</p>					
<p>TOLERANCES EXCEPT AS NOTED</p> <p>MM ±</p> <p>.00 ±</p> <p>.000 ±</p>		<p>DFTO Zhuwm DATE 07/24/04</p> <p>CHKD DATE</p> <p>MFO DATE</p> <p>APPVL DATE</p> <p>MATERIAL:</p> <p>G.E.:</p> <p>FINISH:</p>		<p>SIZE A3</p> <p>REV T5 02/06/09*</p>	
<p>THIRD ANGLE PROJECTION</p>			<p>SHEET 1 OF 1</p>		