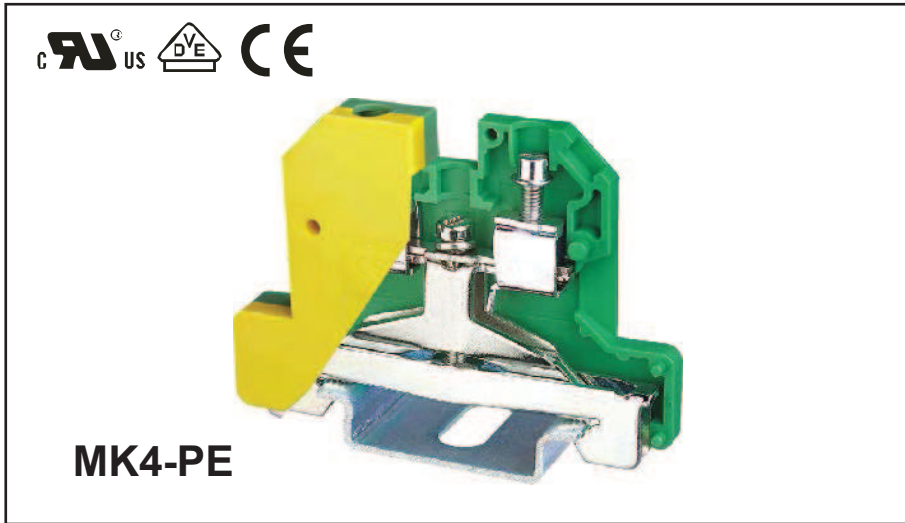


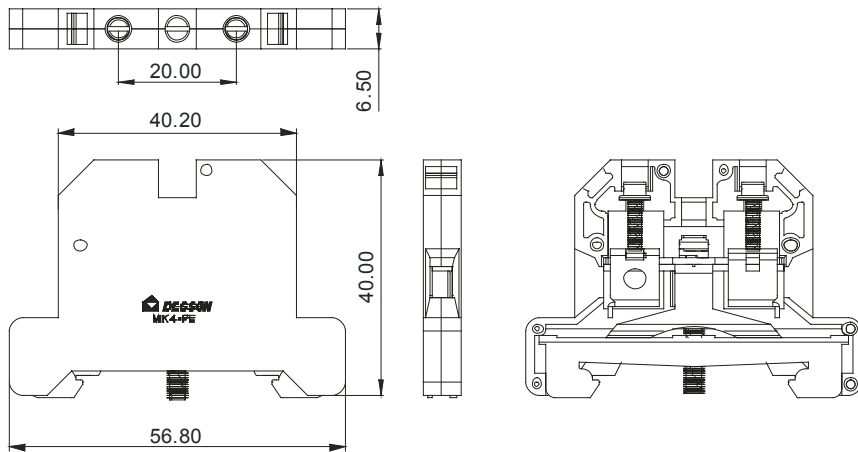


# DEGSON ELECTRONICS CO., LTD.

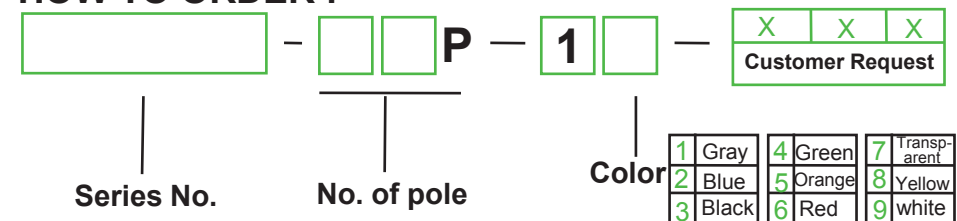
## Product Specification



Approval		
<b>Electrical</b>	<b>UL</b>	<b>IEC</b>
Standard	-	-
Voltage	-	-
Current	-	-
Wire size	22-10AWG	0.75-4mm <sup>2</sup>
T/W/End plate		6.5/56/-mm
Height(NS35:7.5/NS35:15/NS32)		44/51.5mm
Stripping length		8mm
Terminal screw: thread/torque		M3/0.5N.m/12.5Lb-in
Mounting screw: thread/torque		M3/0.5N.m/12.5Lb-in
Insulating material/Inflammability class		PAV-0
<b>Specification</b>	<b>Model</b>	<b>Pieces</b>
(1)Ground terminal block	MK4-PE	100
(2)Rail holder	SH 2	10
(3)Zack strip	DEK 6	100



### HOW TO ORDER :



	<b>DEGSON ELECTRONICS CO., LTD.</b>
	<b>NAME</b> <b>MK4-PE</b>