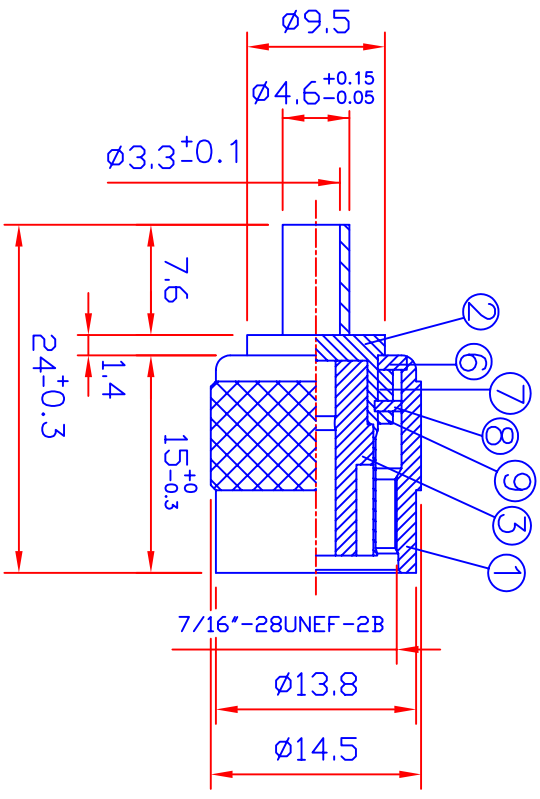
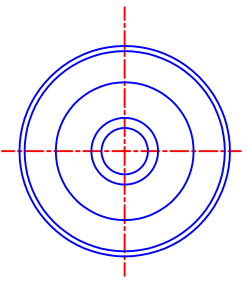
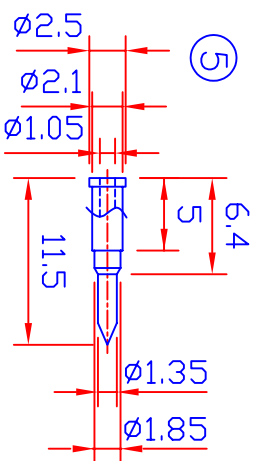
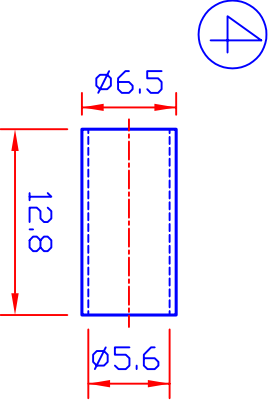


SPECIFICATION
 TNC MALE CONNECTOR
 CRIMP TYPE , RG58, DELRIN INSULATION , NICKEL PLATED
 PIN GOLD
 TNC 公, CRIMP TYPE , RG58, 塑膠絕緣, 本體:鍍銅, PIN: 鍍金



RG58U



UNLESS OTHERWISE SPECIFIED
 GENERAL TOLERANCES
 0.5~6 = ±0.2
 >6~30 = ±0.4
 >30~120 = ±0.6

9	GASKET	1	RUBBER	RED		
8	WASHER	1	STEEL	NICKEL		
7	WASHER	1	BRASS	NICKEL		
6	WASHER	1	STEEL	NICKEL		
5	PIN	1	BRASS	GOLD		
4	RING	1	BRASS	NICKEL		
3	INSULATOR	1	DELTRIN	WHITE		
2	BODY	1	BRASS	NICKEL		
1	SHELL	1	BRASS	BLACK		
NO.	DESCRIPTION	QTY	MATERIAL	SPECIFICATION	REMARK	
DRAW BY	周應君	030508	SCALE	2 : 1	ITEM NO.	TL4522-58-BDNG
DEGN BY			UNIT	MM	TITLE	TNC MALE CRIMP
APPD BY						

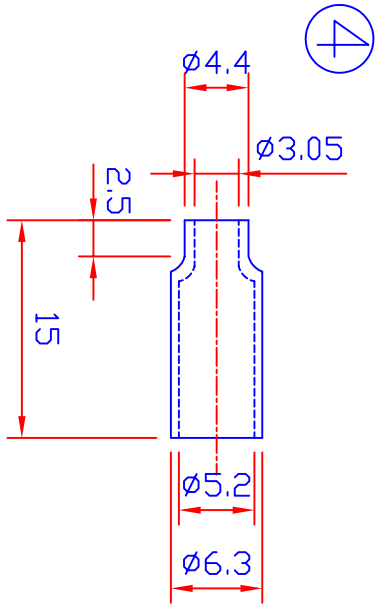
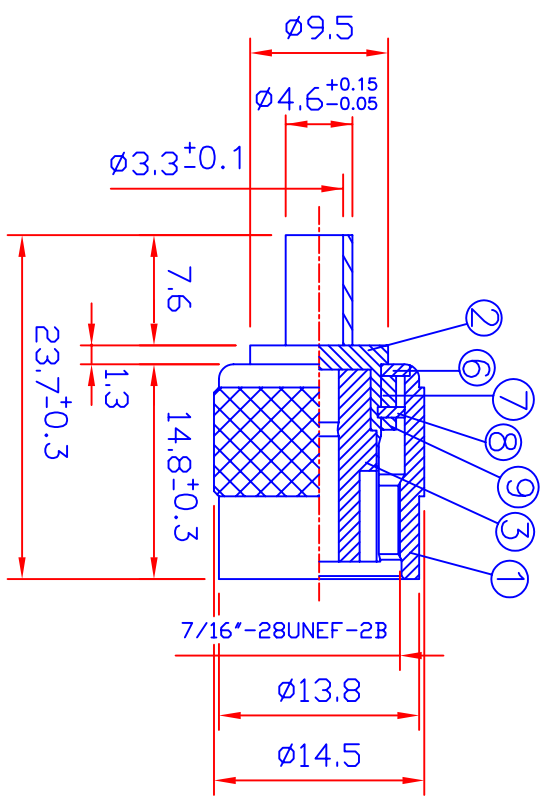
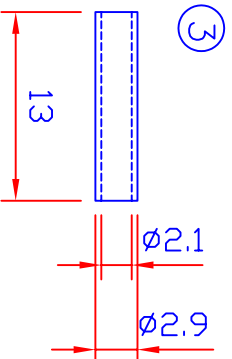
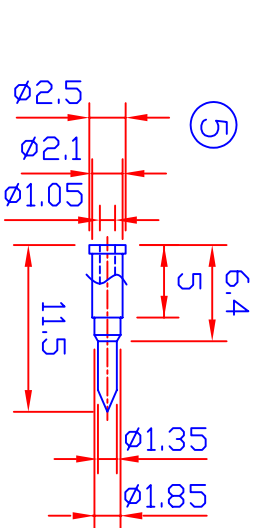
同利企業有限公司

TELE LONG ENTERPRISE CO.,LTD
 E-mail: rgyyang@seed.net.tw

DRAWING NO. TL4522-58-BDNG
 -TNS61-A

DATE	DRAWNG BY	REVISED

SPECIFICATION
 TNC MALE CONNECTOR
 CRIMP TYPE , RG174, DELRIN INSULATION , NICKEL PLATED
 PIN GOLD
 TNC 公, CRIMP TYPE , RG174, 塑膠絕緣, 本體:鍍鍍, PIN: 鍍金
 喇叭管



UNLESS OTHERWISE SPECIFIED
 GENERAL TOLERANCES
 0.5~6 = ±0.2
 >6~30 = ±0.4
 >30~120 = ±0.6

9	GASKET	1	RUBBER	RED		
8	WASHER	1	STEEL	NICKEL		
7	WASHER	1	BRASS	NICKEL		
6	WASHER	1	STEEL	NICKEL		
5	PIN	1	BRASS	GOLD		
4	RING	1	BRASS	NICKEL		
3	INSULATOR	1	DELTRIN	WHITE		
2	BODY	1	BRASS	NICKEL		
1	SHELL	1	BRASS	BLACK		
NO.	DESCRIPTION	QTY	MATERIAL	SPECIFICATION	REMARK	
DRAW BY	周耀君	031408	SCALE	2 : 1	ITEM NO.	TL4522-174-BDNG
DEGN BY			UNIT	MM	TITLE	TNC MALE CRIMP
APPD BY					DRAWING NO.	TL4522-174-BDNG -TNS61-A

RG174U

DATE	DRAWNG BY	REVISED	同利企業有限公司	TELE LONG ENTERPRISE CO.,LTD	DRAWING NO.
				E-mail: rgyyang@seed.net.tw	TL4522-174-BDNG -TNS61-A