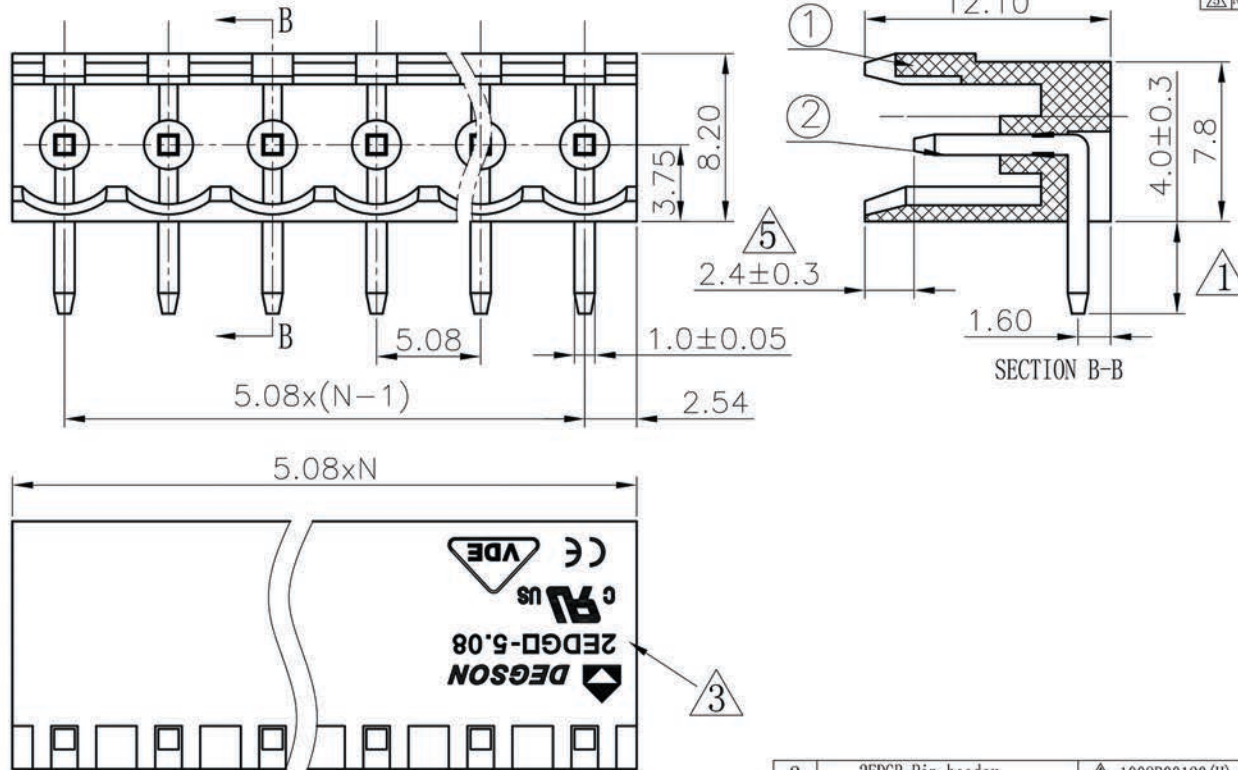


REVISION RECORD				
REV	ECO	DESCRIPTION	DRFT	DATE
△		4.5±0.1变更到4.0±0.3	DZJ	06/14/05
△		Drawing emend	CSX	04/17/06
△		增加刻字	Yej	03/01/08
△		增加自动化方针	WLM	09/23/08
△	0-032	增加标注尺寸	COCO	09/30/10



Notes:

- Pitch:5.08mm, poles:2-24p
- Rated voltage/current:UL 300V/15A
VDE 320V/20A
- Operation temperatures:-40° C~+105° C
- Withstanding voltage: AC2000V/1min
- Insulation resistance:5000MΩ/DC1000V
- Undimensioned Tolerances:

Pitch range in mm		Nominal dimension range in mm						
to	over	over	to	over	over	over		
6	10	10	24	30	60	100	150	
±0.10	±0.15	±0.25	±0.2	±0.3	±0.5	±0.7	±1.0	0.05/0

2	2EDGR-Pin header	△ 1008B00120 (H)	XX	Brass	Automatic assembly												
2	2EDGR-Pin header	1008B00040 (H)	XX	Brass	Normal assembly												
1	2EDGR-5.08-Housing	1008A0YXXA (H)	1	PA66	UL94V-0												
ITEM	NAME OF PART	NO. OF PART	Q'TY	MATERIAL	NOTES												
<table border="1"> <thead> <tr> <th>MM (INCH)</th> <th>DFTD Hooyh</th> <th>DATE 07/20/04</th> </tr> </thead> <tbody> <tr> <td>CHKD</td> <td>DATE</td> <td></td> </tr> <tr> <td>MFO</td> <td>DATE</td> <td></td> </tr> <tr> <td>APPL</td> <td>DATE</td> <td></td> </tr> </tbody> </table>		MM (INCH)	DFTD Hooyh	DATE 07/20/04	CHKD	DATE		MFO	DATE		APPL	DATE		宁波高正电子有限公司 DEGSON ELECTRONICS CO., LTD		NAME 2EDGR-5.08-XXP-1Y-00A (H)	
MM (INCH)	DFTD Hooyh	DATE 07/20/04															
CHKD	DATE																
MFO	DATE																
APPL	DATE																
<table border="1"> <thead> <tr> <th>MM</th> <th>±</th> <th>±</th> </tr> </thead> <tbody> <tr> <td>.0 ±</td> <td>±</td> <td>±</td> </tr> <tr> <td>.00 ±</td> <td>±</td> <td>±</td> </tr> <tr> <td>.000 ±</td> <td>±</td> <td>±</td> </tr> </tbody> </table>		MM	±	±	.0 ±	±	±	.00 ±	±	±	.000 ±	±	±	MATERIAL : CHKD: FINISH :		DRAWING NO. 2EDGR-5.08-E02 /PART NO.	
MM	±	±															
.0 ±	±	±															
.00 ±	±	±															
.000 ±	±	±															
ANGLES ± 1' 		SCALE : 1:1		SIZE REV A3 T5 09/30/10													
DO NOT SCALE DRAWING				SHEET 1 OF 1													