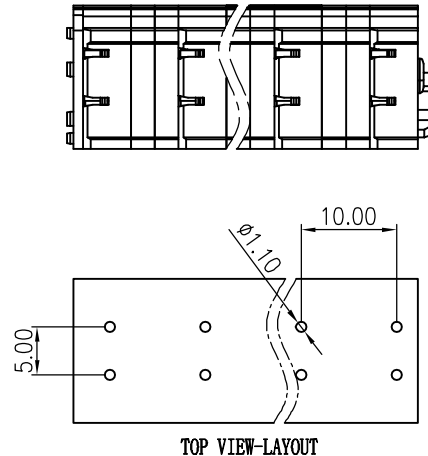
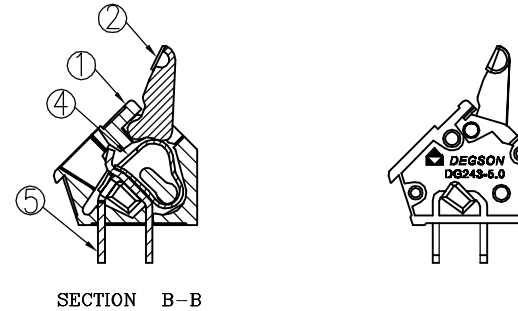
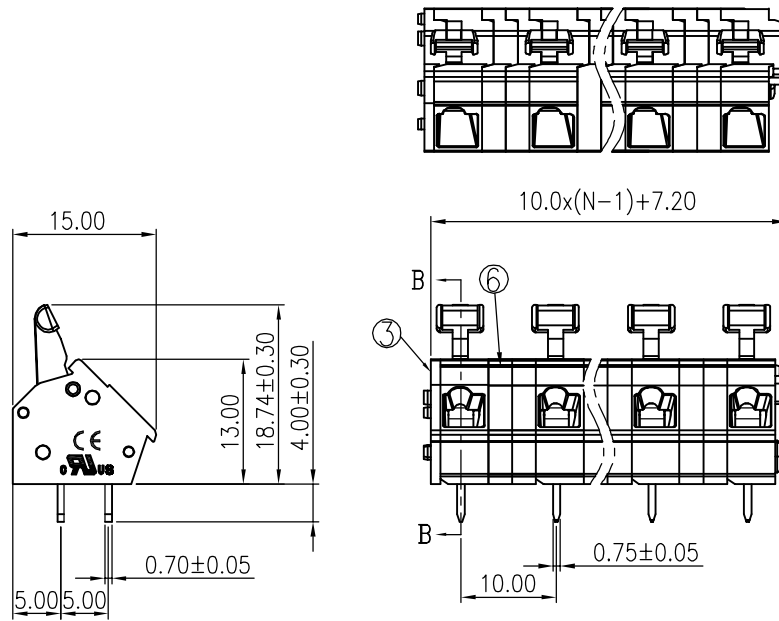


REVISION RECORD				
REV	ECO	DESCRIPTION	DRFT	DATE
△		修改参数	LJH	12/18/08
△		更改零件号"0000000000"为"000000991(0)"	LJH	06/19/09



Notes:

1. Pitch:10.0mm , Poles:XXP
2. Rated voltage/current:UL 300V/15A
IEC 250V/16A △
3. Operation temperatures:-40℃~+105℃
4. Withstanding Voltage:AC2000V/1Min
5. Insulation Resistance:5000MΩ/DC1000V
6. Wire Range:28~12AWG, 2.5mm²
7. Undimensioned Tolerances:

	Pitch range in mm		Nominal dimension range in mm				—		
	over 6 to 6	over 10 to 10	over 30 to 30	over 60 to 60	over 100 to 100	over 150 to 150			
to 6	±0.10	±0.15	±0.25	±0.2	±0.3	±0.5	±0.7	±1.0	0.05/0.1

6	DG243-5.0-Clapboard	3027HOY01A(H)	2XX-2	PA66	UL94V-0
5	DG245 Pin header	3025B00010(H)	XX	Phosphor bronze	SnCe
4	DG242 Spring	X000000991(H)	XX	Stainless steel	
3	DG243-5.0-COVER	3027COY01A(H)	1	PA66	UL94V-0

2	DG243-5.0-Button	3027D1701A(H)	XX	POM	UL94HB
1	DG243-5.0-Housing	3027A0Y01A(H)	XX	PA66	UL94V-0
ITEM	NAME OF PART	NO. OF PART	Q'TY	MATERIAL	NOTES
TOLERANCES EXCEPT AS NOTED		DFTO LTR	DATE 08/10/07	宁波高正电子有限公司 DEGSON ELECTRONICS CO., LTD NAME DG243-10.0-XXP-1Y-00A(H)	
MM	±	CHKD	DATE		
.00 ±	±	MFO	DATE		
.000 ±	±	APPVL	DATE		
ANGLES ± 1°		G.E. :		DRAWING NO. DG243-10.0-E01	
THIRD ANGLE PROJECTION		FINISH :		/PART NO.	
		SCALE :		DO NOT SCALE DRAWING	
			SHEET 1		REV T2 06/19/09