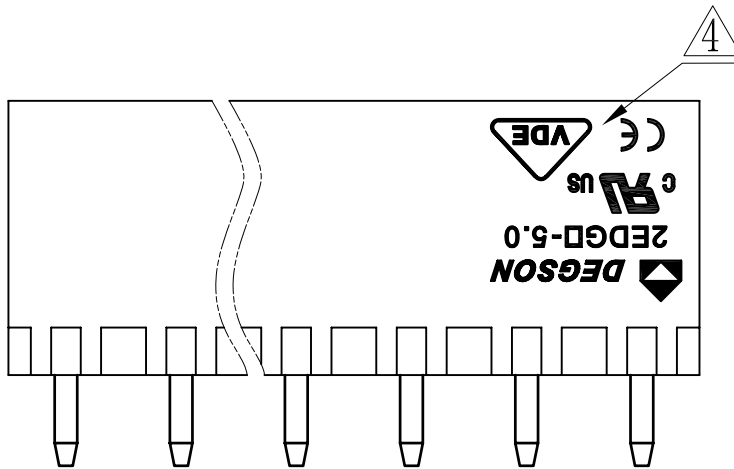


REVISION RECORD				
REV	ECO	DESCRIPTION	DRFT	DATE
△1		图面更新	CSX	04/14/06
△2		增加VDE, CE刻字	YeJ	02/29/08
△3		增加自动化方针	WLM	09/23/08
△4		修改刻字位置	WLM	12/12/08
△5	10-0329	增加标注尺寸	COCO	10/06/10



Notes:

1. Pitch: 5.0mm, Poles: 2-24P
2. Rated voltage/current: UL 300V/15A
VDE 320V/20A
3. Operation temperatures: -40° C ~ +105° C
4. Withstanding voltage: AC2000V/1Min
5. Insulation resistance: 5000MΩ/DC1000V
6. Undimensioned Tolerances:

Pitch range in mm			Nominal dimension range in mm					
	over 6	over 10		over 30	over 60	over 100	over 150	
to 6	to 10	to 24	to 30	to 60	to 100	to 150		□
±0.10	±0.15	±0.25	±0.2	±0.3	±0.5	±0.7	±1.0	0.05/10

2	2EDGV-Pin header	△3 1007B00010 (H)	XX	Brass	Automatic assembly
2	2EDGV-Pin header	1007B00030 (H)	XX	Brass	Manual assembly
1	2EDGV-5.0-00A (H) Housing	1018A0YXXA (H)	1	PA66	UL94V-0
ITEM	NAME OF PART	NO. OF PART	Q'TY	MATERIAL	NOTES
DETACHED LISTS	← MM (INCH) →	DFTO DZJ	DATE 07/18/05"	宁波高正电子有限公司 DEGSON ELECTRONICS CO., LTD NAME 2EDGV-5.0-XXP-1Y-00A (H) DRAWING NO. 2EDGV-5.0-E02 /PART NO. SIZE A3 REV T5 10/06/10"	
	TOLERANCES EXCEPT AS NOTED	CHKD	DATE		
	MM	MFO	DATE		
	.0 ±	APPVL	DATE		
	±	MATERIAL :		DO NOT SCALE DRAWING	
	±	G.E :		SHEET 1 OF 1	
	±	FINISH :			
	±	SCALE : 1:1			
	THIRD ANGLE PROJECTION				