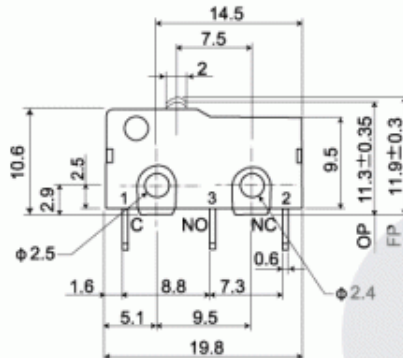


SPECIFICATION:

Rating : SM3 : 3A 125 / 250V AC SM5 : 5A 125 / 250V AC	Electrical Life : SM3 : 10,000 Cycles SM5 : 10,000 Cycles
Insulation Resistance : $\geq 100\text{M}\Omega$ at 500V DC	Mechanical Life : 100,000 Cycles
Withstand Voltage : 1,000V AC for 1 minute	Operating Temperature : $-25^{\circ}\text{C} \sim +80^{\circ}\text{C}$
Contact Resistance : $\leq 50\text{m}\Omega$ (initial)	Ambient Humidity : $< 85\%\text{RH}$
Soldering Temperature : 225°C Max. for 3 Sec.	Operating Force : On request

SM3-00N-115G SM5-00N-115G



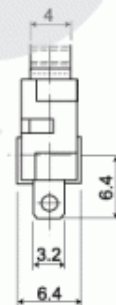
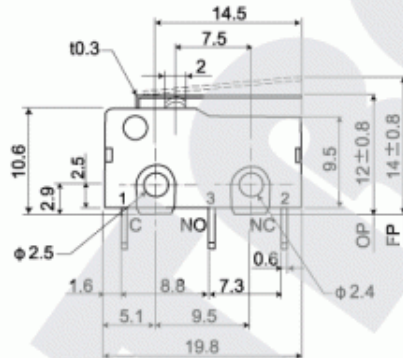
SCHEMATIC



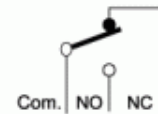
Operating Force (gf):
60,80,95,115,130,150,175,190,250,295

※ : standard

SM3-01N-30G SM5-01N-30G



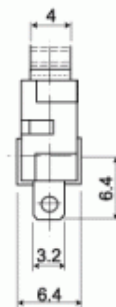
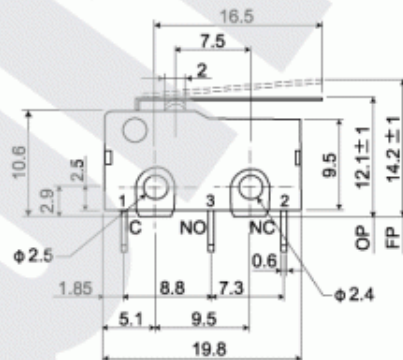
SCHEMATIC



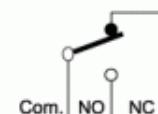
Operating Force (gf):
17,20,25,30,35,40,45,50,60,75

※ : standard

SM3-02N-38G SM5-02N-38G



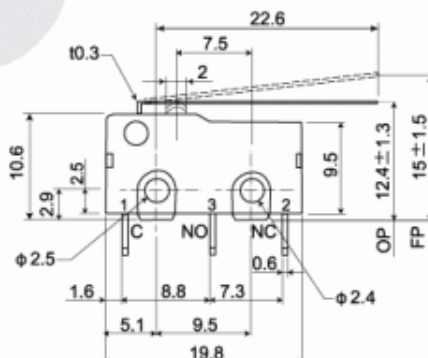
SCHEMATIC



Operating Force (gf):
15,17,20,25,30,35,38,45,55,65

※ : standard

SM3-03P-28G SM5-03P-28G



SCHEMATIC



Operating Force (gf):
10,15,18,20,25,28,35,45,53

※ : standard