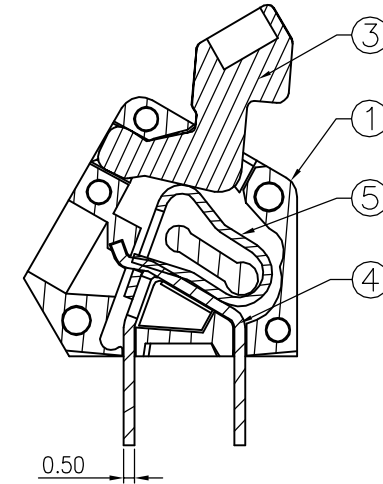
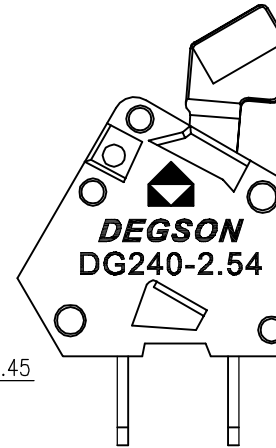
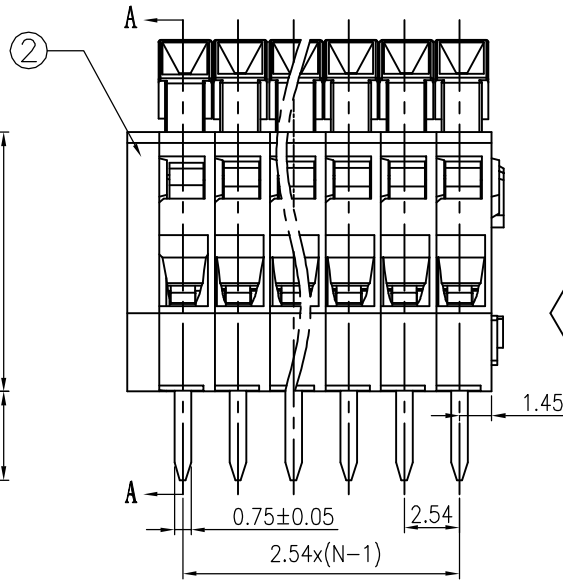
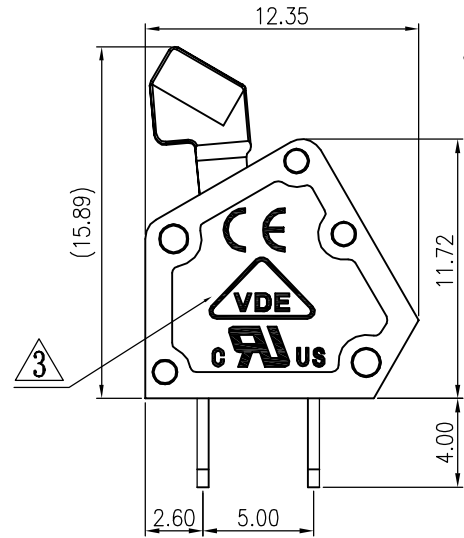
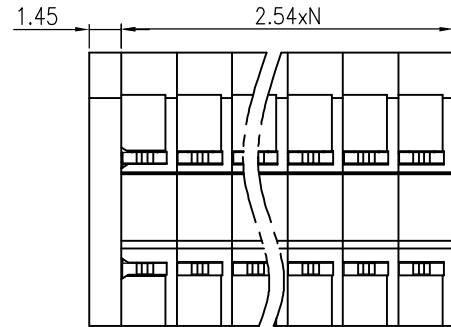
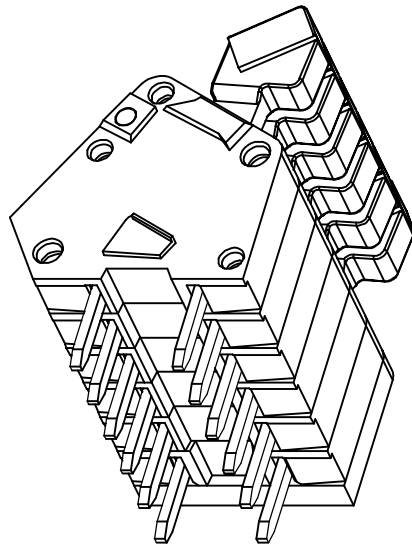


REVISION RECORD				
REV	ECO	DESCRIPTION	DRFT	DATE
△		品名料号增加环保标识“(H)”	LJH	12/08/07
△		工程变更修改按钮料号及材质	WLM	11/28/08
△	09-0119	增加VDE刻字及参数	GHY	11/24/08



- Notes:
- Pitch: 2.54mm, Poles: 2-XXP
 - Rated voltage/current: UL 150V/4A
VDE 130V/6A
 - Operation temperatures: -40°C ~ +105°C
 - Withstanding Voltage: AC1500V/1min
 - Insulation Resistance: 5000MΩ/DC1000V
 - Wire Range: 28~20AWG, 0.2~0.5mm²
 - Undimensioned Tolerances:

Pitch range in mm	Nominal dimension range in mm						—		
	over 6 to 10	over 10 to 24	over 30 to 60	over 60 to 100	over 100 to 150	over 150			
to 6	±0.10	±0.15	±0.25	±0.2	±0.3	±0.5	±0.7	±1.0	0.05/10



5	DG240 Spring	X000001020 (H)	XX	Stainless steel	
4	DG240 Pin header	3013B00010 (H)	XX	Phosphor bronze	SnCe
3	DG240-2.54-Button	3013D1701A (H) △	XX	POM △	UL94HB
2	DG240-2.54-Cover	3013C0Y01A (H)	1	PA66	UL94V-0

ITEM	NAME OF PART	NO. OF PART	Q'TY	MATERIAL	NOTES
1	DG240-2.54- Housing	3013A0Y01A (H)	XX	PA66	UL94V-0

DETACHED LISTS	MM (INCH)	DFTO LIN	DATE 01/05/06*
	TOLERANCES EXCEPT AS NOTED	CHKD	DATE
		MFO	DATE
		APPLV	DATE
MM	±	MATERIAL :	
.0 ±	±	G.E. :	
.00 ±	±	FINISH :	
.000 ±	±	SCALE :	
ANGLES ± 1°		THIRD ANGLE PROJECTION	

宁波高正电子有限公司 DEGSON ELECTRONICS CO., LTD	
NAME DG240-2.54-XXP-1Y-00A(H)	
DRAWING NO. DG240-2.54-E01	SIZE A3
/PART NO.	REV T3 11/24/08*
DO NOT SCALE DRAWING	SHEET 1 OF 1