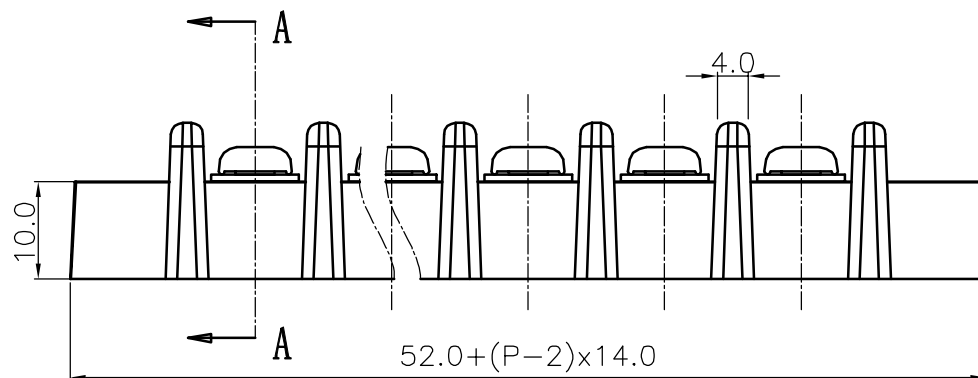
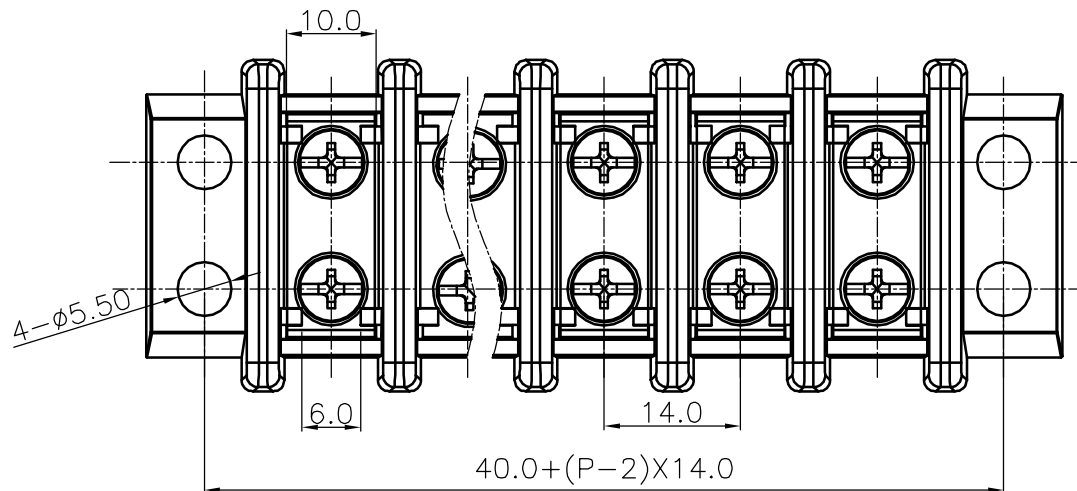


REVISION RECORD

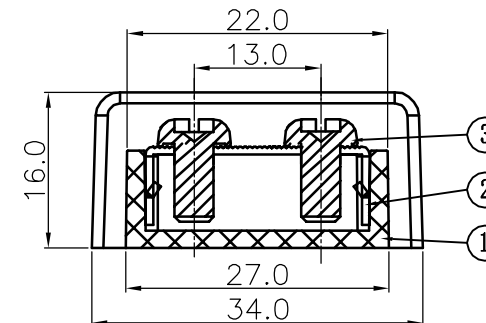
REV	ECO	DESCRIPTION	DRFT	DATE
△		原品名称由:DG89-2XP-1Y-00A 变更为:5025B-2XP-1Y-00A	Zhuwm	06/29/05
△		料号由5025AOYXXA改为5025MOYXXA	WF	01/17/08*
△		图面更新	CSX	03/06/08*
△		增加UL刻字	CSX	05/21/07*
△		品名、料号增加环保标识“(H)”	Yej	12/08/07*
△	09-0117	增加COC刻字	GHY	11/24/09*



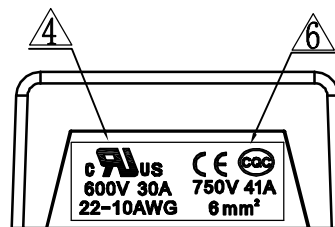
Notes:

1. Pitch:14mm ,Poles:2-18P
2. Rated voltage/current:UL 600V/30A
IEC 450V/41A
3. Operation temperatures:-40℃~+80℃
4. Withstanding Voltage:AC2000V/1min
5. Insulation Resistance:5000MΩ/DC500V
6. Wire Range:22~10AWG, 6mm²
7. Max. Torque Value:M4, 12. 24kgf. cm
8. Undimensioned Tolerances:

Pitch range in mm		Nominal dimension range in mm						
to	over	over	to	over	over	over	∩	
6	6 to 10	10 to 24	30 to 60	60 to 100	100 to 150	150	∩	
±0.10	±0.15	±0.25	±0.2	±0.3	±0.5	±0.7	±1.0	
							0.05/0	



SECTION A-A



3	DG89 bright screws-M4	S00000610(H)	2XX	Steel	Ni plated
2	DG89 pin header	5025B00010(H)	XX	Brass	SnCe

1	DG89-A-Housing	5025MOYXXA (H)	1	PC	UL94V-2
ITEM	NAME OF PART	NO. OF PART	Q'TY	MATERIAL	NOTES
DETACHED LISTS	MM (INCH)	DFTO Zhuwm	DATE 06/29/05	宁波高正电子有限公司 DEGSON ELECTRONICS CO., LTD NAME: △ DG89-A-XXP-1Y-00A(H) DRAWING NO. DG89-E01 /PART NO. SIZE A3 REV T6 11/24/09* DO NOT SCALE DRAWING SHEET 1 OF 1	
	TOLERANCES EXCEPT AS NOTED	CHKD	DATE		
	MFO	DATE			
	APPVL	DATE			
	MATERIAL :	G.E :			
	ANGLES ± 1°	FINISH :			
	THIRD ANGLE PROJECTION	SCALE : 1:1			
	MM	±			
	.0 ±	±			
	.00 ±	±			
.000 ±	±				