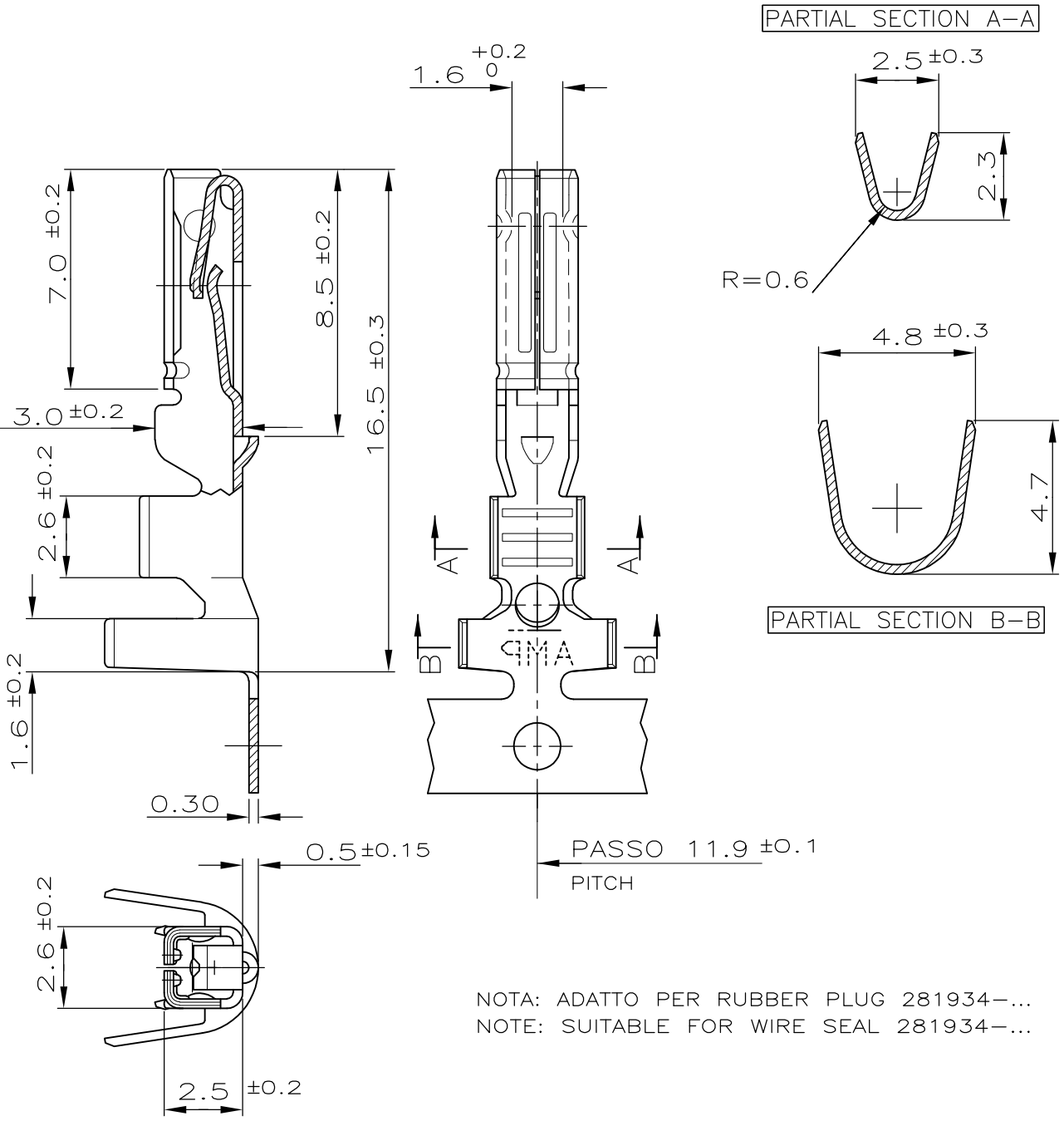



LOC	DIST	REVISIONS					
I	—	P	LTR	DESCRIPTION	DATE	DWN	APVD
			B1	REVISED PER ECO-11-005033	2APR11	RK	HMR



NOTA: ADATTO PER RUBBER PLUG 281934-...
 NOTE: SUITABLE FOR WIRE SEAL 281934-...

CUSTOMER DWG. FOR REFERENCE ONLY DISEGNO PER CLIENTE SOLO PER RIFERIMENTO

DIAM. ISOLANTE (INS. DIA. RANGE)	RANGO FILO (WIRE RANGE)	PRE-STAGNATO / PRE-TIN	BRONZO FOSF./PH.BRONZE	282403-1
SEE NOTE	0.35-0.5mm ²	FINITURA / COLORE (FINISH / COLOUR)	MATERIALE (MATERIAL)	NUMERO (PART NUMBER)

DIMENSIONS: mm	DWN	C.BERTINI	6-92	MATERIAL	—	FINISH	—
	CHK	A.BRUNI	6-92	 TE Connectivity			
TOLERANCES UNLESS OTHERWISE SPECIFIED:	APVD	—	—				
0 PLC ± —	PRODUCT SPEC	—	—	MINI MIC SRS. REC. CONTACT			
1 PLC ± 0.3	APPLICATION SPEC	—	—	SIZE	CAGE CODE	DRAWING NO	RESTRICTED TO
2 PLC ± —	WEIGHT	—	—	A4	00779	282403	—
3 PLC ± —				SCALE 5:1			
4 PLC ± —				SHEET 1 OF 1			
ANGLES ± 2°				REV B1			

CUSTOMER DRAWING SCALE 5:1 SHEET 1 OF 1 REV B1

RELEASED FOR PUBLICATION

ALL RIGHTS RESERVED.

THIS DRAWING IS UNPUBLISHED.

© COPYRIGHT — By —

Mouser Electronics

Authorized Distributor

Click to View Pricing, Inventory, Delivery & Lifecycle Information:

[TE Connectivity:](#)

[282403-1](#)