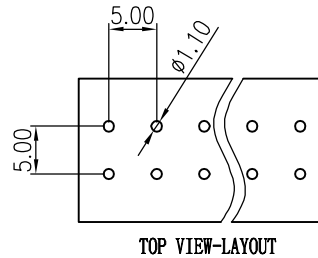
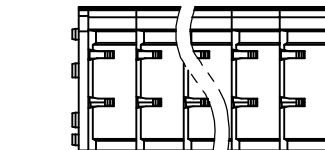
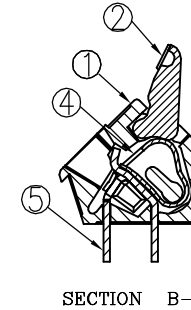
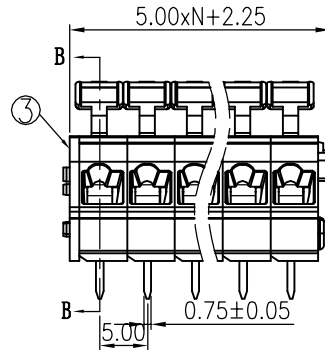
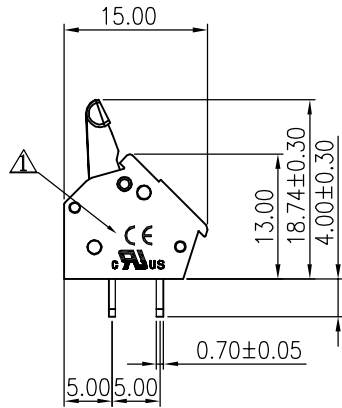


REVISION RECORD					
REV	ECO	DESCRIPTION	DRFT	DATE	
▲		增加UL刻字	CSX	07/21/07	
▲		品名、料号增加环保标示“(H)”	LJH	12/08/07	
▲		修改参数	LJH	12/18/08	
▲		更改料号“0000000000” 为“0000000000”	LJH	06/19/09	



Notes:

- Pitch:5.0mm , Poles:XXP
- Rated voltage/current:UL 300V/15A  
IEC 250V/16A ▲
- Operation temperatures:-40℃~+105℃
- Withstanding Voltage:AC2000V/1Min
- Insulation Resistance:5000MΩ/DC1000V
- Wire Range:28~12AWG, 2.5mm<sup>2</sup>
- Undimensioned Tolerances:

Pitch range in mm		Nominal dimension range in mm					
to 6	over 6 to 10	over 10 to 24	to 30	over 30 to 60	over 60 to 100	over 100 to 150	∩
±0.10	±0.15	±0.25	±0.2	±0.3	±0.5	±0.7	±1.0
							0.05/10

5	DG245 Pin header	3025B00010 (H)	XX	Phosphor bronze	SnCe
4	DG242 Spring	X000000991 (H)	XX	Stainless steel	
3	DG243-5.0-COVER	3027COY01A (H)	1	PA66	UL94V-0

2	DG243-5.0-Button	3027D1701A (H)	XX	POM	UL94HB
1	DG243-5.0-Housing	3027A0Y01A (H)	XX	PA66	UL94V-0
ITEM	NAME OF PART	NO. OF PART	Q'TY	MATERIAL	NOTES
DFTO LTR		DATE	01/20/07		
CHKD		DATE			
MFO		DATE			
APPLV		DATE			
MATERIAL :					
ANGLES ± 1°		G.E. :			
THIRD ANGLE PROJECTION		FINISH :			
SCALE :		DO NOT SCALE DRAWING		SHEET 1 OF 1	

**DEGSON** 宁波高正电子有限公司  
DEGSON ELECTRONICS CO., LTD

NAME  
DG243-5.0-XXP-1Y-00A(H)

DRAWING NO. DG243-5.0-E01 SIZE A4 REV T4  
/PART NO. 06/19/09