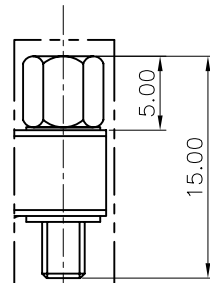
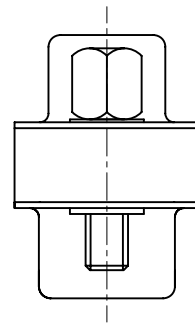
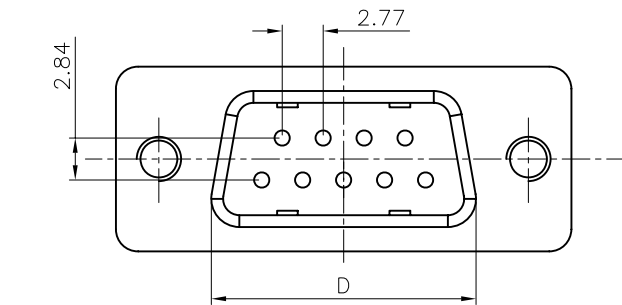
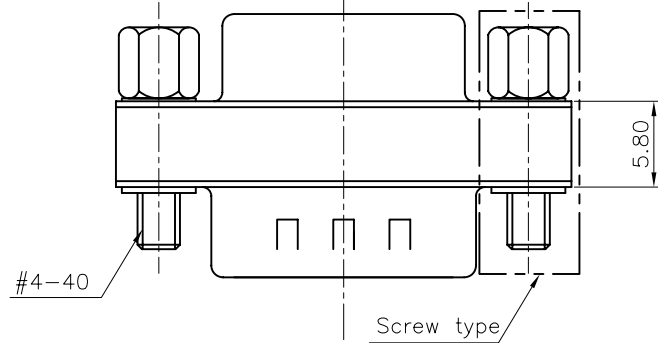
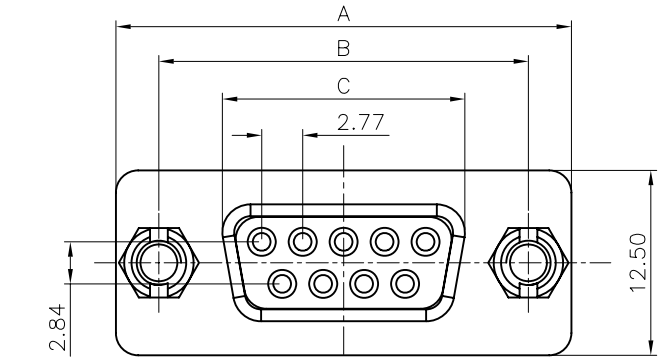
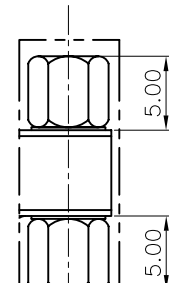


REV.	DESCRIPTION	DRAWN	CHECKED	APPROVED
A	NEW RELEASE	LL 10/09/06		



CC TYPE



DS TYPE

NOTES:

1. SPECIFICATION:

- . Current Rating: 1.5A.
- . Insulation Resistance: 1000MΩ min.
- . Dielectric Withstanding: 500V for One minute.
- . Contact resistance: 50mΩ max.
- . Operating Temperature: -40°C to +105°C

2. MATERIALS

- . Housing: Thermoplastic(UL94 V-0).
- . Contact: Copper alloy.
- . Shell: Steel.

3. Product Number code:

DS1082-02 - X X X X X

- Screw type
- CC: CC type
- DS: DS type
- Shell plating
- N: All Nickel
- 6: All Tin
- Housing color
- B: black
- L: blue
- Contact plating
- 8: Full gold flash
- Connector type
- 9F: 9Female & 9Female
- 9M: 9Mlae & 9Female
- 9P: 9Mlae & 9Male
- 15F: 15Female & 15Female
- 15M: 15Mlae & 15Female
- 15P: 15Mlae & 15Male
- 25F: 25Female & 25Female
- 25M: 25Mlae & 25Female
- 25P: 25Mlae & 25Male
- 37F: 37Female & 37Female
- 37M: 37Mlae & 37Female
- 37P: 37Mlae & 37Male

Dimension

Position	A±0.2	B±0.2	C±0.2	D±0.2
9	30.80	24.99	16.33	17.90
15	39.14	33.32	24.66	26.50
25	53.04	47.04	38.38	40.00
37	69.32	63.50	54.84	56.50

GENERAL TOLERANCE		ANGLE TOLERANCE	
X.	±0.60	X.	±5°
.X	±0.38	.X	±3°
.XX	±0.25	.XX	±2°

PROJECTION	TITLE	D-SUB ADAPTOR	
UNITS	mm	SERIES	DS1082-02 SERIES
SHEET SIZE	A4	SERIES	DS1082-02 SERIES

晨翔电子有限公司