

THIS DRAWING IS UNPUBLISHED. RELEASED FOR PUBLICATION 20
 © COPYRIGHT 20 BY - ALL RIGHTS RESERVED.

REVISIONS				
P	LTR	DESCRIPTION	DATE	APVD
B		ECR-16-010100 UPDATE NAME	14JUL2016	L.Z X.X

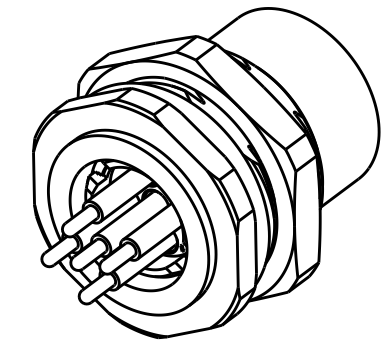
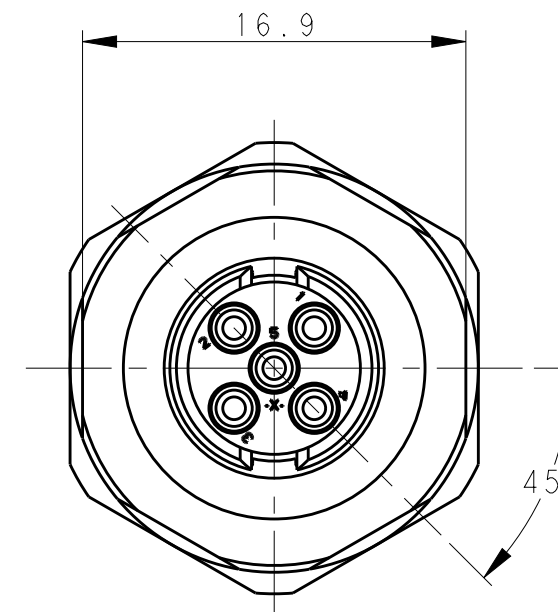
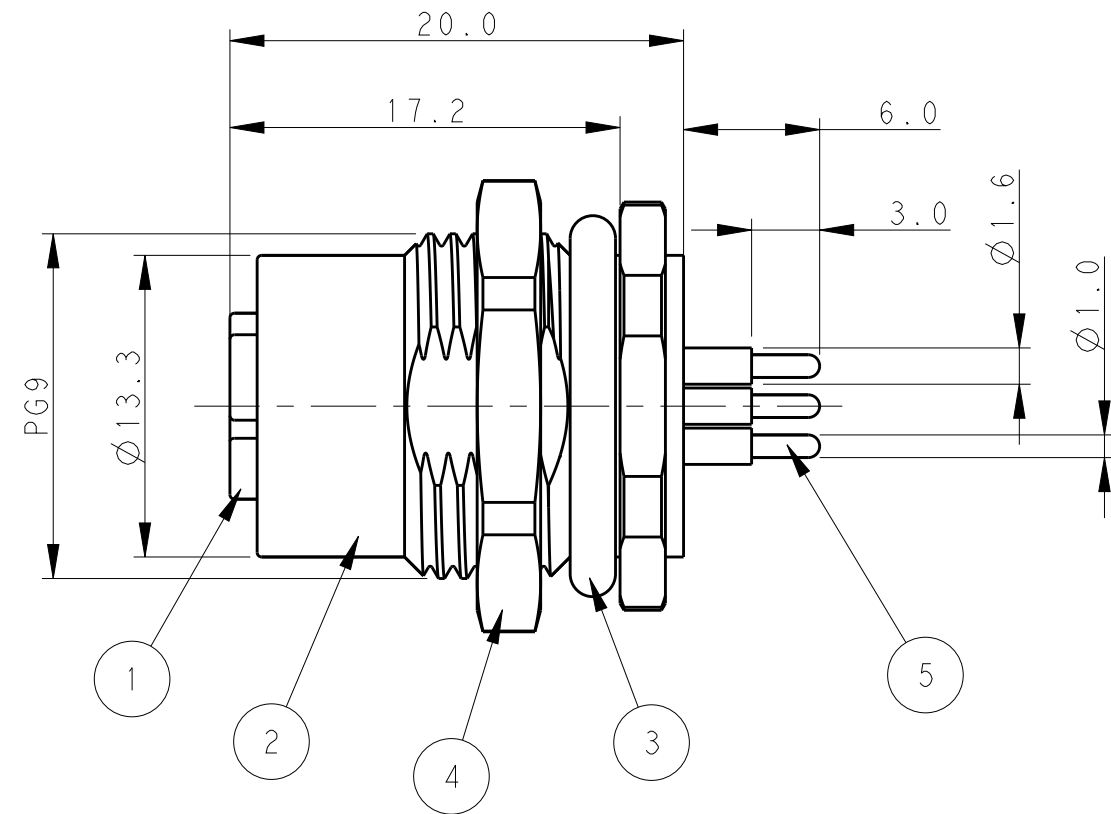
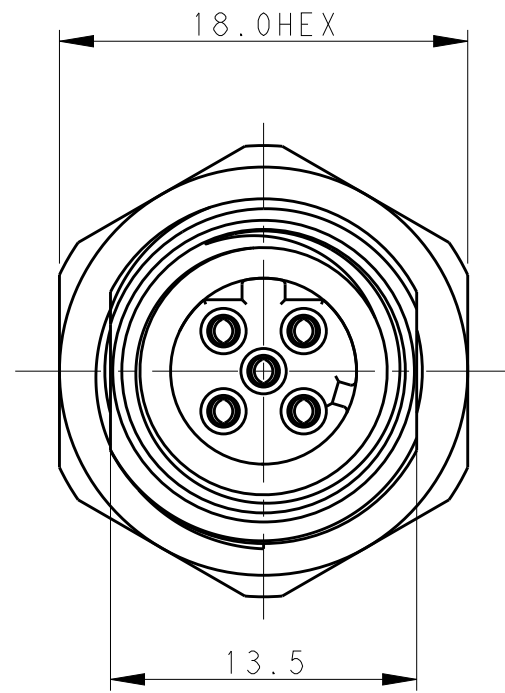


TABLE 1

TECHNICAL DATA	T4141512021-000	T4141512031-000	T4141512041-000	T4141512051-000
RATED VOLTAGE	250V	250V	250V	60V
RATED CURRENT	4A	4A	4A	4A
POLLUTION DEGREE	3	3	3	3
OVERVOLTAGE CATEGORY	II	II	II	II
MATERIAL GROUP	II	II	II	II
CONTACT RESISTANCE	$\leq 10m\Omega$	$\leq 10m\Omega$	$\leq 10m\Omega$	$\leq 10m\Omega$
INSULATION RESISTANCE	$> 100M\Omega$	$> 100M\Omega$	$> 100M\Omega$	$> 100M\Omega$
DEGREE OF PROTECTION	IP67	IP67	IP67	IP67
OPERATION TEMPERATURE	-40~85°C	-40~85°C	-40~85°C	-40~85°C

- NOTE:
1. TECHNICAL DATA: SEE TABLE 1
 2. RECOMMENDED MOUNT PANEL SEE DETAIL
 3. PRODUCT COMPLIES WITH IEC61076-2-101
 4. PLASTIC INERT MATERIAL: UL LISTED WITH UL94V0 FLAME RATING
 5. ALL MATERIALS TO BE ROHS COMPLIANT
 6. ALL MATERIALS TO BE REACH COMPLIANT
 7. PN INFORMATION FOR ASSEMBLY PARTS

- 注释:
- 1: 技术参数, 见表1
 - 2: 推荐开孔尺寸详见如图所示
 - 3: 产品符合标准 IEC61076-2-101
 - 4: 塑胶材料符合 UL 标准, UL-94V0 阻燃等级
 - 5: 所有材料符合 ROHS 参照标准 TEC-138-705
 - 6: 所有材料符合 REACH 参照标准 TEC-138-705
 - 7: 成品料号信息如下:

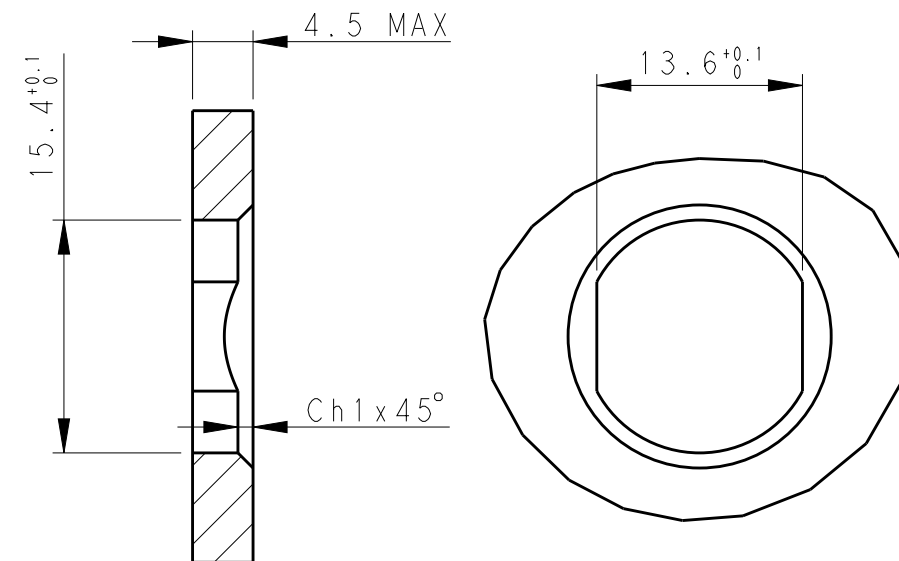
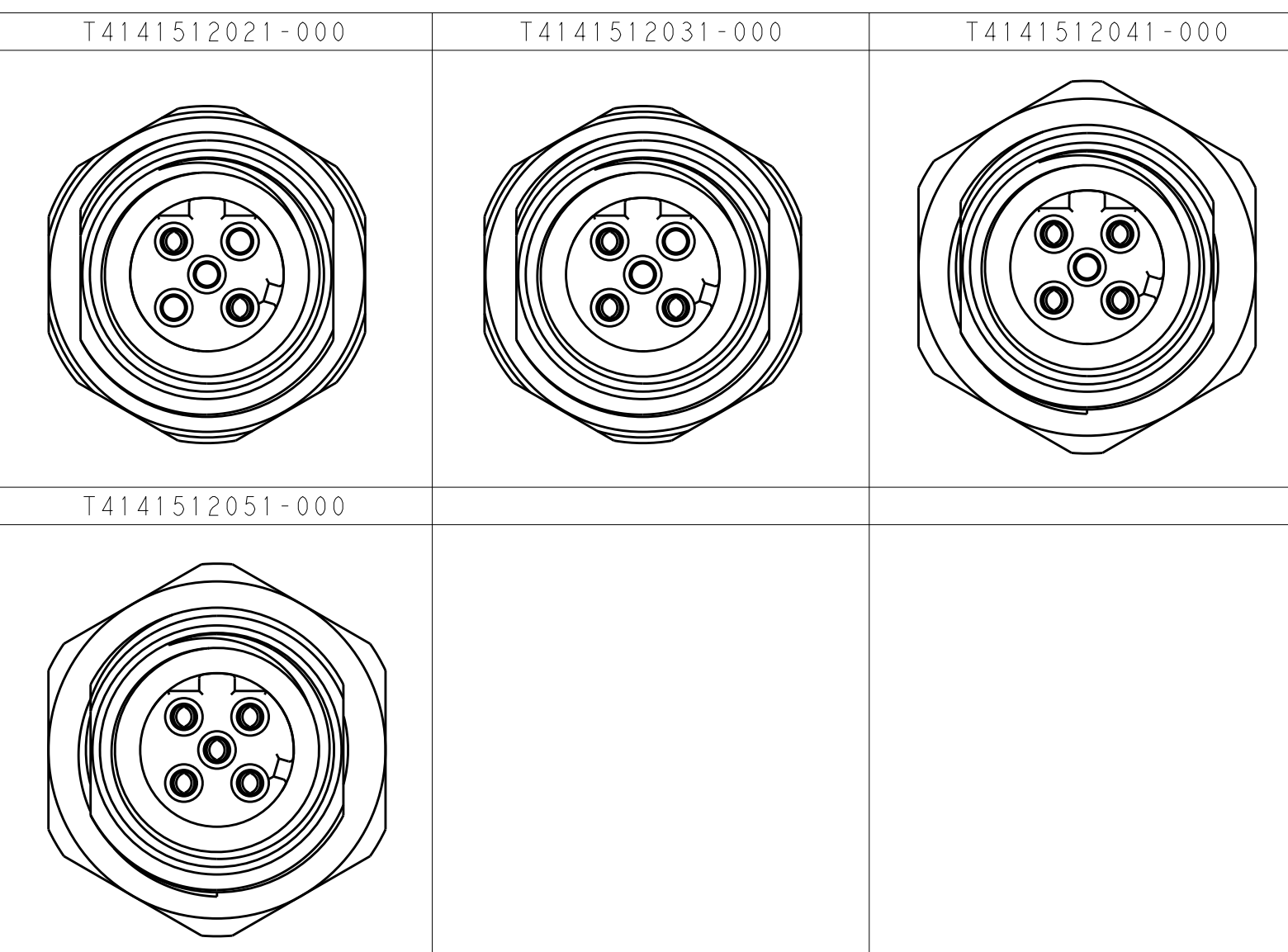
T41415120X1-000

- CONTACT FINISH:
1: GOLD 3u''
- NUMBER OF PINS:
02: 2 PINS
03: 3 PINS
04: 4 PINS
05: 5 PINS

T41415120X1-000

- 端子电镀:
1: 3u'' 金
- 针数:
02: 2 针
03: 3 针
04: 4 针
05: 5 针

PIN ARRANGEMENT D-CODE



RECOMMENDED PANEL CUTOUT

PLATING	MATERIAL	DESCRIPTION	ITEM	T4141512021-000	T4141512031-000	T4141512041-000	T4141512051-000
3u'' GOLD MIN.	COPPER ALLOY	CONTACT	5	2	3	4	5
200u'' NICKEL MIN.	COPPER ALLOY	METAL NUT	4	1	1	1	1
-	-	O-RING	3	1	1	1	1
200u'' NICKEL MIN.	COPPER ALLOY	M12, MALE, METAL BODY	2	1	1	1	1
-	PA66	M12, MALE HSG	1	1	1	1	1

THIS DRAWING IS A CONTROLLED DOCUMENT.

DWN BO GAO 16FEB2016
 CHK KOBBY ZHAO 16FEB2016
 APVD XIANG XU 16FEB2016

TE Connectivity

NAME M12 PANEL MOUNT CONNECTOR D CODE, FEMALE, FRONT PCB SOLDERING

SIZE A2 CAGE CODE - DRAWING NO. G-T41415120X1000 RESTRICTED TO -

SCALE 2:1 SHEET 1 OF 1 REV B

CUSTOMER DRAWING