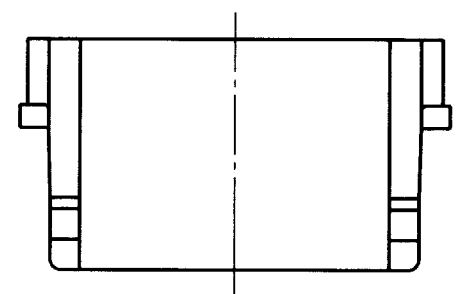
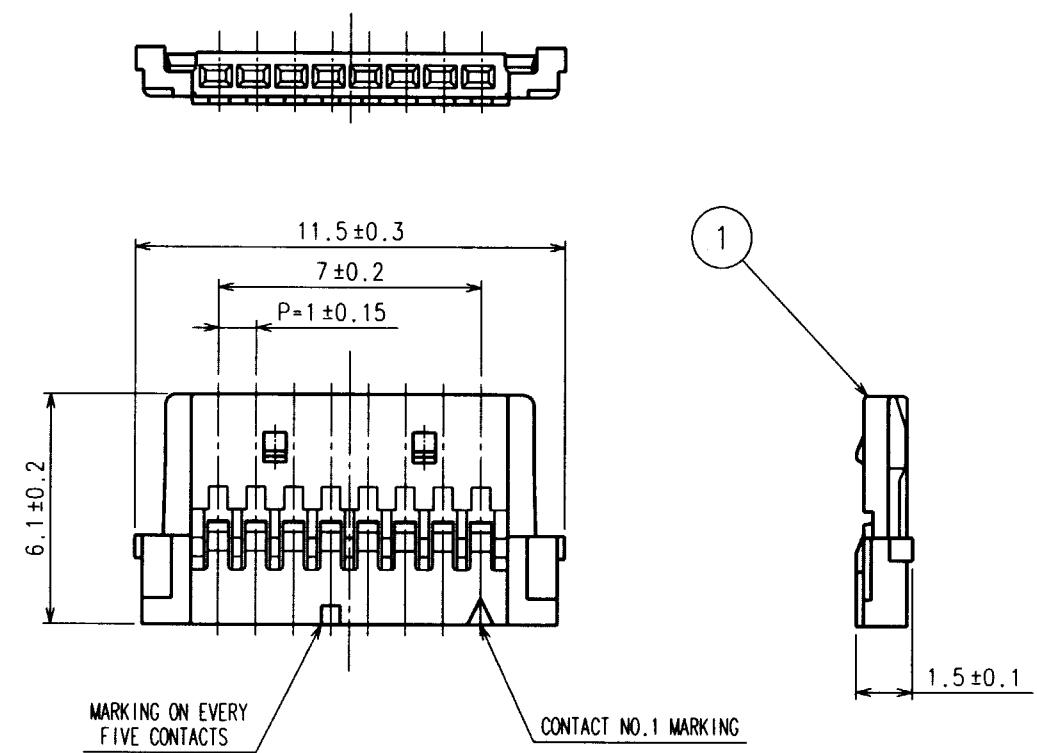


7					8				
COUNT	DESCRIPTION OF REVISIONS	BY	CHKD	DATE	COUNT	DESCRIPTION OF REVISIONS	BY	CHKD	DATE
△				..	△				..
△				..	△				..
△				..	△				..



NOTE1: THE MINIMUM ORDERING QUANTITY IS ONE PACK.  
(CONTAINING 100 PCS.)

TO

NO. MATERIAL FINISH, REMARKS		1 POLYAMIDE UL94V-0		NO. MATERIAL FINISH, REMARKS	
CODE NO. (OLD) CL		DRAWN H.UMEHARA 99.5.27	DESIGNED H. Umehara 99.5.27	CHECKED J. Ama 99.5.31	APPROVED K. Katayama 99.6.1
DRAWING NO. EDC3-162994-01		PART NO. DF19-8S-1C			
SCALE 5 : 1		UNITS mm		CODE NO. CL685-0029-1	
HRS HIROSE ELECTRIC CO., LTD		1/1			