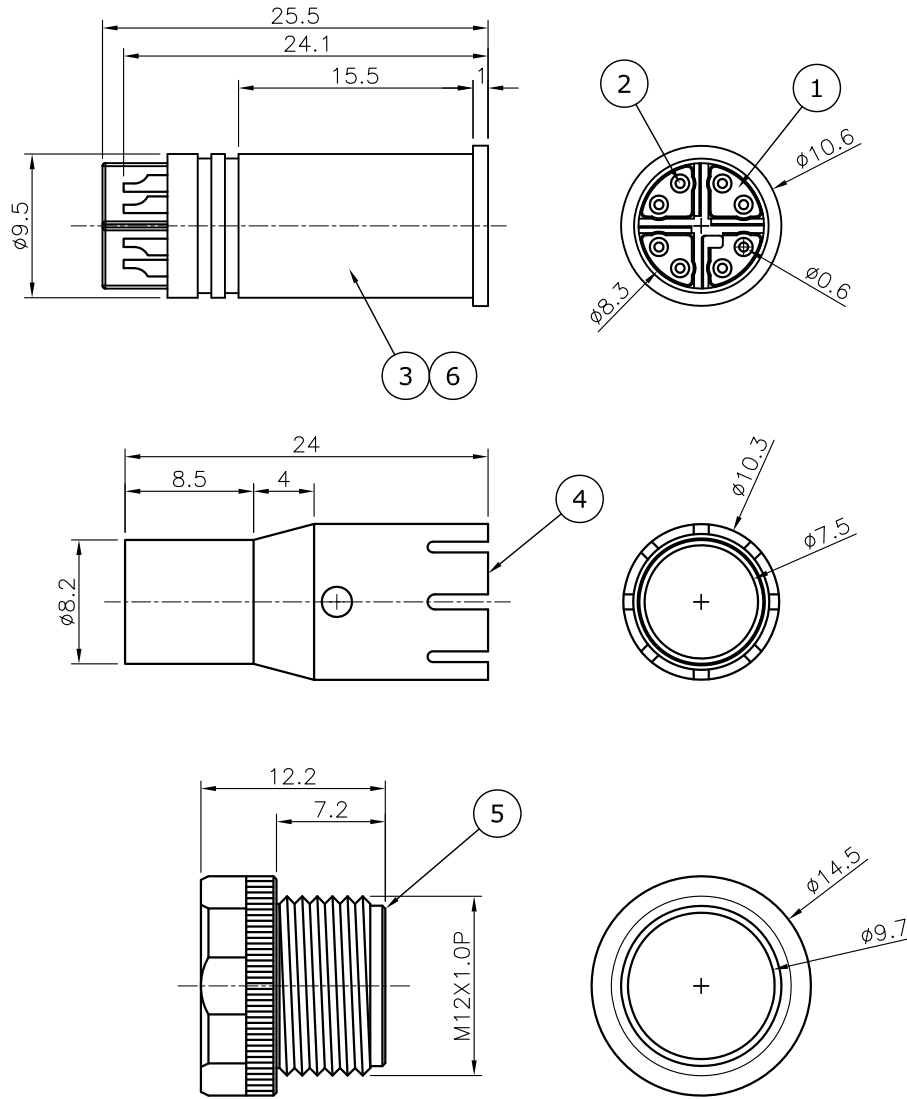


REV.	DESCRIPTION	DRAWN	DATE
1	INITIAL RELEASE	FROS	2016/02/22


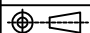
SPECIFICATION:

Specification:

1. Current Rating: 0.5A
2. Voltage Rating: 48V
3. Water Proof: IPX7
4. Operation Temperature: -40°C to +85°C



6	O-Ring	EPDM
5	Nut	Brass, Nickel Plating
4	Back Shell	Brass, Nickel Plating
3	Shell	Zn alloy, Nickel Plating
2	Contact	Brass, 10u" Gold under Nickel Plating
1	Housing	PBT, UL94V-0, Black
NO.	PART NAME	DESCRIPTION

UNLESS OTHERWISE SPECIFIED TOLERANCE					
UNIT:	DECIMAL	LINEAR	ANGLES		
mm	X.	±0.50	±5°	WWW.ATTEND.COM.TW	
	X.X	±0.25	±3°		
	X.XX	±0.12	±1°		
DRAWN	Fros	2016/02/22	DRAWN NAME:		
CHECKED	Amy	2016/02/22	M12 X-Code Plug, 8 Pin Male Solder Type		
APPROVED	Ken	2016/02/22	PRODUCT NO.	216X-08M00	
	SCALE 2/1	SHEET 1/1	SIZE A4	FILE NAME	216X-08M00_B_1