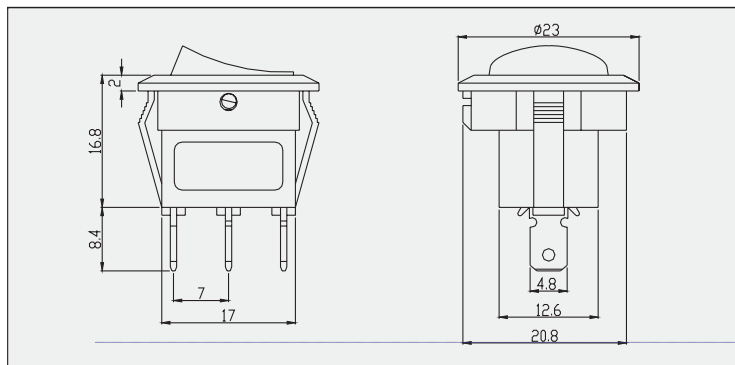


SC777 SINGLE POLE ROCKER SWITCHES



SC777-6VBH-20G



Single pole

APPLIANCE CUT-OUT

X	Y	Z
0.75~1.25	20.2 ⁺⁰ _{-0.1}	21 ^{+0.1} ₋₀
1.25~2	20.4 ⁺⁰ _{-0.1}	21 ^{+0.1} ₋₀
2~3	20.8 ⁺⁰ _{-0.1}	21 ^{+0.1} ₋₀

◆ PRODUCT ADVANTAGE

- Various actuator for your choice
- Excellent actuation characteristic
- Excellent SWPB spring support enough contact force and ensure mechanical life
- Accessional waterproof hat for your choice
- Usually use inreading lamp、electric radiator、coffee maker、stirrer、power strip,ets

◆ TECHNICAL SPECIFICATIONS

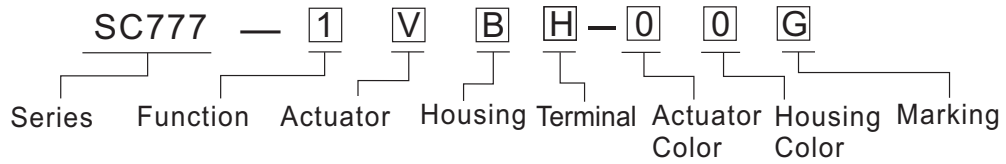
Electrical rating	12A 125VAC 12A 250VAC 12(4)A 250VAC T90/55 1E4
Electrical life	1E4
Mechanical life	5E4
Contact resistance	≤20m Ω
Insulation resistance	> 100M Ω
High voltage resistance	1500VAC
Resistance to tracking	PTI 175
Contact gap DT with centre-OFF	> 3mm
Protection type	IP20
Ambient temperature	0℃...+90℃
Flammability	UL94V-0
Heat and fire resistance	850℃
Material of housing and actuator	PA/PC
Material of Contacts	Ag or AgCdO
Material of Terminals	Copper Alloy
Temperature rise at the terminals (According to electrical life endurance)	Max.30K (UL1054) Max.55K (EN61058-1)
Push-on force of terminals	≥80N
Approval marks	
Suitable for appliances of protection class II	



Water Proof Hat

SC777 SINGLE POLE ROCKER SWITCHES

◆ PART NUMBER:



Function(1)		
Function	Circuitry	Code
ON-OFF		1
ON-ON		2
ON-OFF-ON		3
(ON)-OFF		4
ON-(OFF)		5
ON-OFF with Lamp		6
(ON)-OFF with LED		7
ON-OFF-(ON)		9
(ON)-OFF-(ON)		13

Actuator(2)		
Actuator Shape	Versions	Code
Arc actuator		V
Lit window actuator		M
LED window actuator		F

Housing(3)		
Housing	Versions	code
Rotundity		A
Rotundity with oblong big wedge		B
Rotundity with oblong small wedge		B1

Terminal(3)		
Terminal	Versions	Code
Quick-connect terminal 4.8X0.8mm		H
Solder terminal		C

Actuator Marking(4)			
Versions	Code	Versions	Code
	G	ON OFF	R
	P		Q

Examples of Common Part Numbers and Descriptions

Part Number	Circuitry	Switch Function	Terminal Type	Actuator/Housing Color	Marking
SC777-1VBC-00G		ON-OFF	Solder terminal	Black/Black	
SC777-6VBH-20P		ON-OFF with Lamp	Quick-connect terminal 4.8X0.8mm	Red/Black	
SC777-3VBH-00Q		ON-OFF-ON	Quick-connect terminal 4.8X0.8mm	Black/Black	