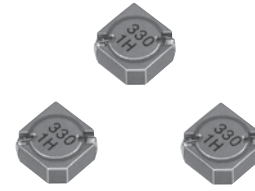


## Power Inductors / Wire Wound type

Series : **P**  
Type : **ELLATP**



### Features

- Magnetic shielded structure
- Low DC resistance and large current capability
- Available on tape and reel for automatic insertion
- The new version of ELLATV serie
- RoHS compliant

### Recommended Applications

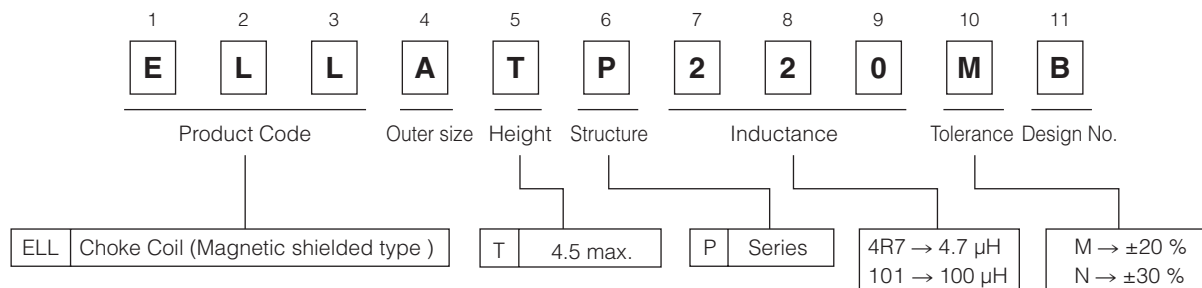
- Audiovisual equipment, Appliance, Office automation equipment, Amusement machine, Power circuit for electric device

### Standard Packing Quantity

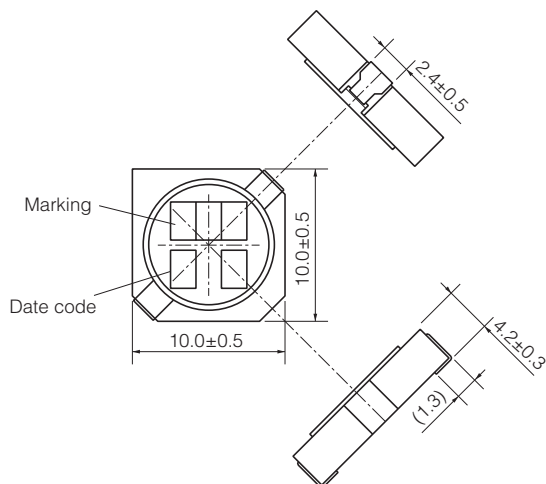
- 500 pcs./reel

**As for Soldering Conditions and Safety Precautions,**  
Please see Data Files

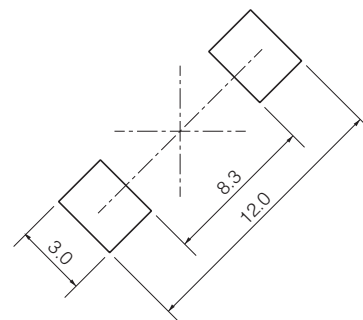
### Explanation of Part Numbers



### Dimensions in mm (not to scale)



### Recommended land patterns in mm (not to scale)



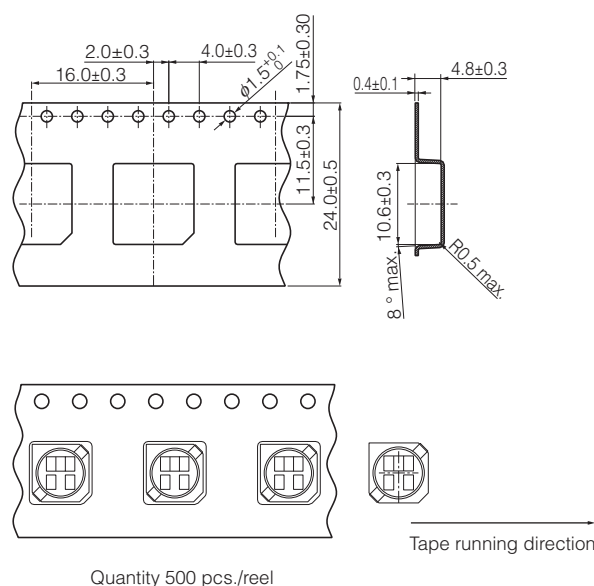
## Standard Parts

| Part No.    | Inductance<br>(100 kHz) |       | Rbc<br>(at 20 °C) |       | Saturation<br>Rated Current*1<br>(mA max.) | Temperature<br>Rise Current*2<br>(mA max.) | Marking |
|-------------|-------------------------|-------|-------------------|-------|--|--|---------|
|             | (μH)                    | Tol.  | (mΩ)              | Tol.  |  |  |         |
| ELLATP1R0NB | 1.0                     | ±30 % | 3.6               | ±30 % | 9000                                       | 8000                                       | 1R0     |
| ELLATP1R5NB | 1.5                     |       | 4.4               |       | 8000                                       | 7000                                       | 1R5     |
| ELLATP2R7NB | 2.7                     |       | 6.4               |       | 5500                                       | 6500                                       | 2R7     |
| ELLATP3R3NB | 3.3                     |       | 7.5               |       | 5350                                       | 5500                                       | 3R3     |
| ELLATP4R7NB | 4.7                     |       | 9.1               |       | 4500                                       | 5000                                       | 4R7     |
| ELLATP5R1NB | 5.1                     |       | 12                |       | 4350                                       | 4500                                       | 5R1     |
| ELLATP6R8NB | 6.8                     |       | 15                |       | 4000                                       | 4000                                       | 6R8     |
| ELLATP8R2NB | 8.2                     |       | 18                |       | 3700                                       | 3700                                       | 8R2     |
| ELLATP100MB | 10.0                    |       | 22                |       | 3300                                       | 3300                                       | 100     |
| ELLATP120MB | 12.0                    |       | 25                |       | 2900                                       | 2900                                       | 120     |
| ELLATP150MB | 15.0                    | 29    | 2700              | 2700  | 150  |  |         |
| ELLATP220MB | 22.0                    | 38    | 2200              | 2500  | 220  |  |         |
| ELLATP270MB | 27.0                    | 47    | 1900              | 2200  | 270  |  |         |
| ELLATP330MB | 33.0                    | 59    | 1800              | 2000  | 330  |  |         |
| ELLATP390MB | 39.0                    | 66    | 1600              | 1800  | 390  |  |         |
| ELLATP470MB | 47.0                    | 80    | 1500              | 1700  | 470  |  |         |
| ELLATP680MB | 68.0                    | 120   | 1100              | 1400  | 680  |  |         |
| ELLATP820MB | 82.0                    | 140   | 1050              | 1300  | 820  |  |         |
| ELLATP101MB | 100.0                   | 180   | 1000              | 1200  | 101  |  |         |
| ELLATP121MB | 120.0                   | 200   | 900               | 1000  | 121  |  |         |
| ELLATP151MB | 150.0                   | 250   | 780               | 900   | 151  |  |         |
| ELLATP181MB | 180.0                   | 320   | 750               | 750   | 181  |  |         |
| ELLATP221MB | 220.0                   | 360   | 700               | 700   | 221  |  |         |
| ELLATP331MB | 330.0                   | 550   | 550               | 600   | 331  |  |         |
| ELLATP471MB | 470.0                   | 780   | 470               | 500   | 471  |  |         |
| ELLATP681MB | 680.0                   | 1150  | 380               | 450   | 681  |  |         |
| ELLATP102MB | 1000.0                  | 1700  | 310               | 370   | 102  |  |         |

\*1 Saturation Rated Current : This DC current which causes a 30% inductance reduction from its nominal value.

\*2 Temperature Rise Current : This indicates the value of current when temperature rise dt/t= 40 °C (at 20 °C).

## Embossed Carrier Tape Dimensions in mm (not to scale)



# Mouser Electronics

Authorized Distributor

Click to View Pricing, Inventory, Delivery & Lifecycle Information:

## Panasonic:

[ELL-ATP100MB](#) [ELL-ATP102MB](#) [ELL-ATP121MB](#) [ELL-ATP390MB](#) [ELL-ATP470MB](#) [ELL-ATP1R0NB](#) [ELL-ATP3R3NB](#) [ELL-ATP4R7NB](#) [ELL-ATP680MB](#) [ELL-ATP820MB](#) [ELL-ATP681MB](#) [ELL-ATP471MB](#) [ELL-ATP1R5NB](#) [ELL-ATP2R7NB](#) [ELL-ATP151MB](#) [ELL-ATP5R1NB](#) [ELL-ATP101MB](#) [ELL-ATP120MB](#) [ELL-ATP8R2NB](#) [ELL-ATP270MB](#) [ELL-ATP181MB](#) [ELL-ATP150MB](#) [ELL-ATP220MB](#) [ELL-ATP6R8NB](#) [ELL-ATP221MB](#) [ELL-ATP330MB](#) [ELL-ATP331MB](#)