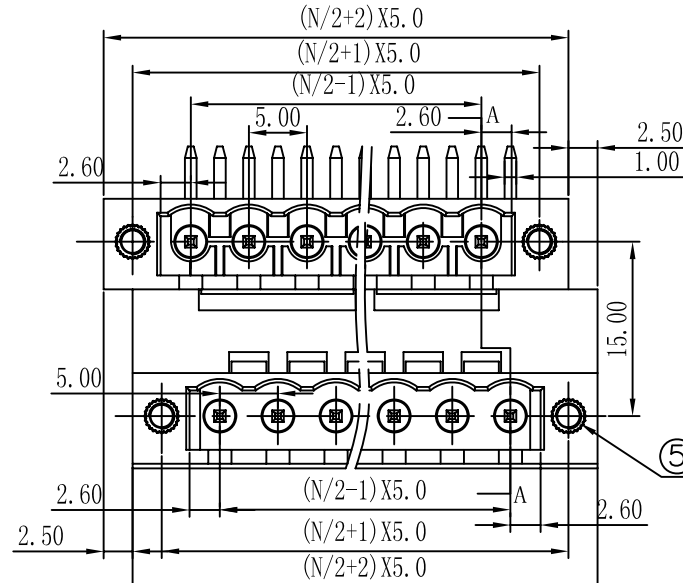


Notes:

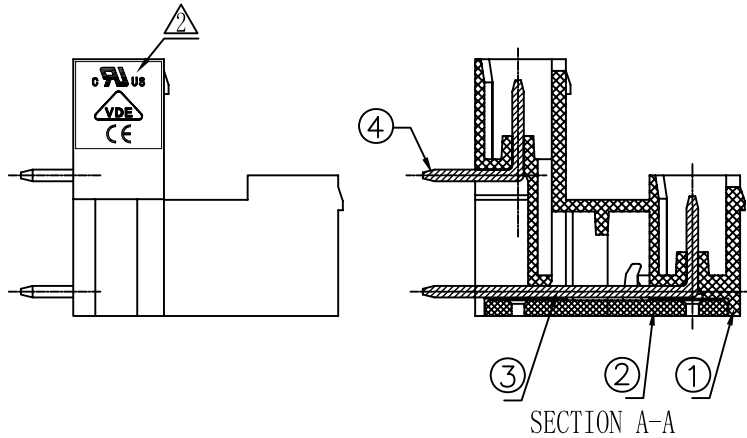
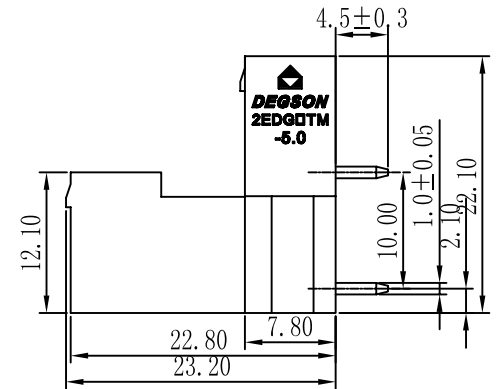
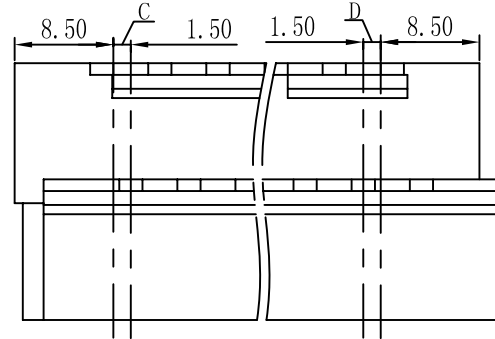
- Pitch: 5.0mm , Poles: One-block for 4-24P  
Inter locking for 24-48P
- Rated voltage/current: UL 300V/15A  
VDE 320V/10A
- Operation temperatures: -40°C ~ +105°C
- Withstanding Voltage: AC2000V/1min
- Insulation Resistance: 5000MΩ / DC1000V
- Undimensioned Tolerances:

Pitch range in mm			Nominal dimension range in mm					—
to	over	over	to	over	over	over	over	—
6	6 to 10	10 to 24	30	30 to 60	60 to 100	100 to 150	150	□
±0.10	±0.15	±0.25	±0.2	±0.3	±0.5	±0.7	±1.0	0.05/10

REVISION RECORD				
REV	ECO	DESCRIPTION	DRFT	DATE
△		品名、料号增加环保标示“(H)”	LJH	12/11/07*
△		增加VDE刻字	Zengy	11/10/08*
△	0-0310	根据实物更新图画	Golden	09/20/10*



注: C D两处与插头卡勾相配合必须要有凸台, 其余凹槽凸台均不作管控。  
(The C and D section must match the contact point with bump.  
The rest of groove and bulge are undefined.)



5	2EDG Nut	S000000040 (H)	4	Brass	
4	2EDGRH-short pin	1061B00030 (H)	XX/2	Brass	SnCe
3	2EDGRT-long pin	1032B00020 (H)	XX/2	Brass	SnCe
2	2EDGRT-5.0-Cover	1032C0Y (N/2 & N/2 + 1) A (H)	1	PA66	>24P
	2EDGRT-5.0-Cover	1032C0Y (N/2 & N/2 - 1) A (H)	1	PA66	>24P
	2EDGRT-5.0-Cover	1032C0YXXA (H)	1	PA66	≤24P

1	2EDGRTM-5.0 housing (Right foot)	1074A1Y (N/2 & N/2 + 1) C (H)	1	PA66	>24P
	2EDGRTM-5.0 housing (Left foot)	1074A1Y (N/2 & N/2 - 1) B (H)	1	PA66	
	2EDGRTM-5.0 housing	1074A1YXXA (H)	1	PA66	≤24P
ITEM	NAME OF PART	NO. OF PART	Q'TY	MATERIAL	NOTES
TOLERANCES EXCEPT AS NOTED		DFTO Apple	DATE 06/18/06	DEGSON® 宁波高正电子有限公司 DEGSON ELECTRONICS CO., LTD	
MM (INCH)		CHKD	DATE	NAME	
.00 ±		MFO	DATE	2EDGRTM-5.0-XXP-1Y-00A (H)	
.000 ±		APPVL	DATE	DRAWING NO. 2EDGRTM-5.0-E01	
ANGLES ± 1°		MATERIAL :		/PART NO.	
THIRD ANGLE PROJECTION		G.E :		SIZE A3	
		FINISH :		REV T3	
		SCALE :		09/20/10*	
DO NOT SCALE DRAWING				SHEET 1 OF 1	