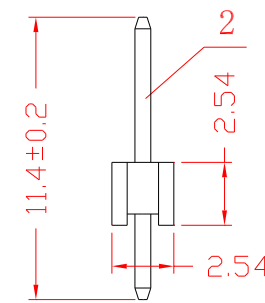
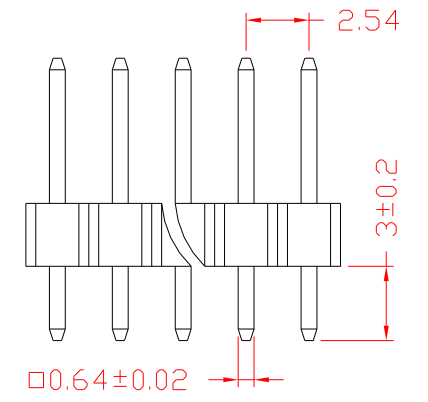
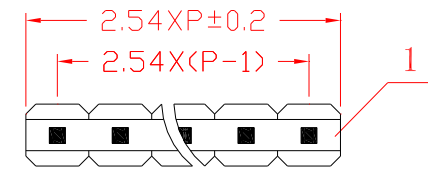


序号/revNo.	名称/title	文件编号/file No.
1	塑料件	QJ/XYT-11118
2	端子	QJ/XYT-11120



Specifications:
 Contact Resistance: 30mΩ max.at DC 100 mA
 Insulator Resistance: 1000MΩ min.at DC 500V
 Current Rating: 1AMP

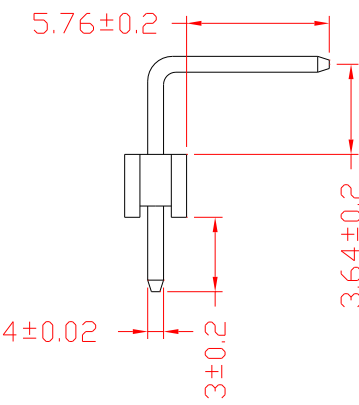
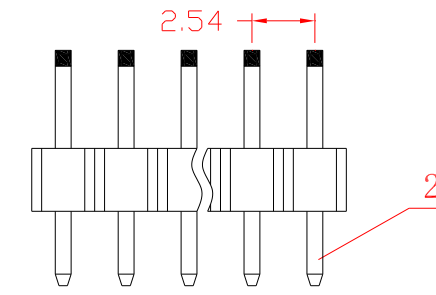
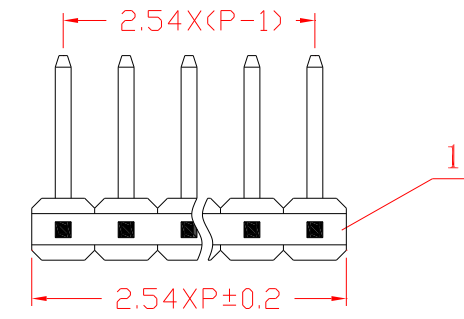
Dielectric Withstanding
 Voltage: AC 500V For 1 minute
 Operating Temperature:-55°C--+105°C
 Contact: Brass
 Housing: PBT &30% Glass Fiber(UL 94V-0)

- 要求:
 1. 塑料件无裂痕。
 2. 整排端子成一直线, 相邻端子之间相互平行。

设计/Designed by	绘图/Drawing by	审核/Checked by	批准/Approved by	未注公差 General Tolerance
				x, ±0.2 x, ±2' .x ±0.1 .x' ±1' .xx ±0.05 .xx'±0.5' .xxx ±0.01
		图名/title	文件编号/file No.	
		112-A单排直针 产品图	QJ/XYT-12020	
		页序/sheet		
		备注 /remark		单位/units: mm

序号/revNo.	更改记录/revision note	签名/signature	日期/date

序号/revNo.	名称/title	文件编号/file No.
1	塑料件	QJ/XYT-11118
2	端子	QJ/XYT-11120



Specifications:
 Contact Resistance: 30mΩ max.at DC 100 mA
 Insulator Resistance: 1000MΩ min.at DC 500V
 Current Rating: 1AMP

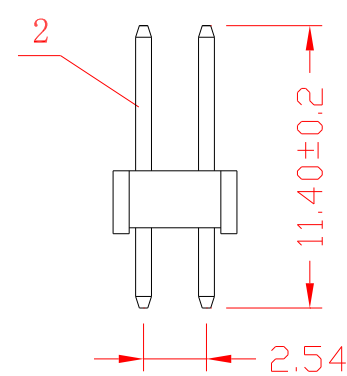
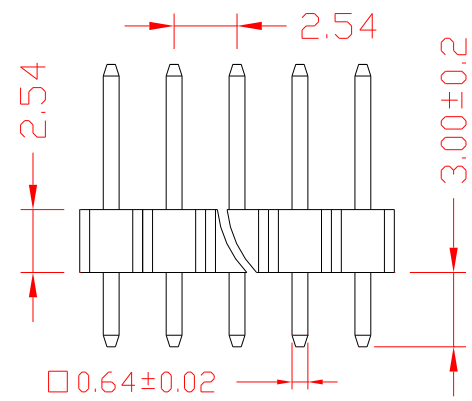
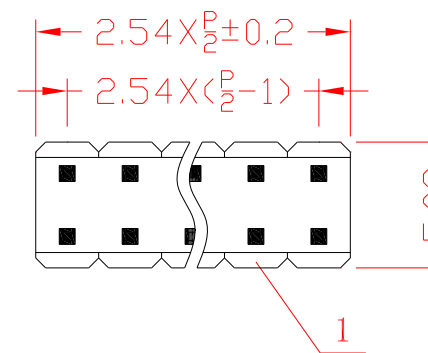
Dielectric Withstanding
 Voltage: AC 500V For 1 minute
 Operating Temperature:-55°C--+105°C
 Contact: Brass
 Housing: PBT &30% Glass Fiber(UL 94V-0)

- 要求:
 1. 塑料件无裂痕。
 2. 整排端子成一直线, 相邻端子之间相互平行。

设计/Designed by	绘图/Drawing by	审核/Checked by	批准/Approved by	未注公差 General Tolerance
				x, ±0.2 x, ±2' .x ±0.1 .x' ±1' .xx ±0.05 .xx'±0.5' .xxx ±0.01
		图名/title	文件编号/file No.	
		112-A单排弯针 (一)产品图	QJ/XYT-12024	
		页序/sheet		
		备注 /remark		单位/units: mm

序号/revNo.	更改记录/revision note	签名/signature	日期/date

序号/revNo.	名称/title	文件编号/file No.
1	塑料件	QJ/XYT-11119
2	端子	QJ/XYT-11120



Specifications:
 Contact Resistance: 30mΩ max.at DC 100 mA
 Insulator Resistance: 1000MΩ min.at DC 500V
 Current Rating: 1AMP

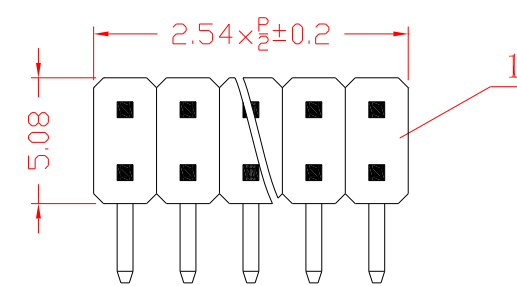
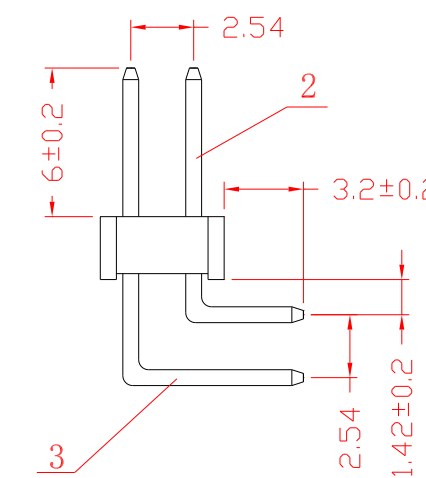
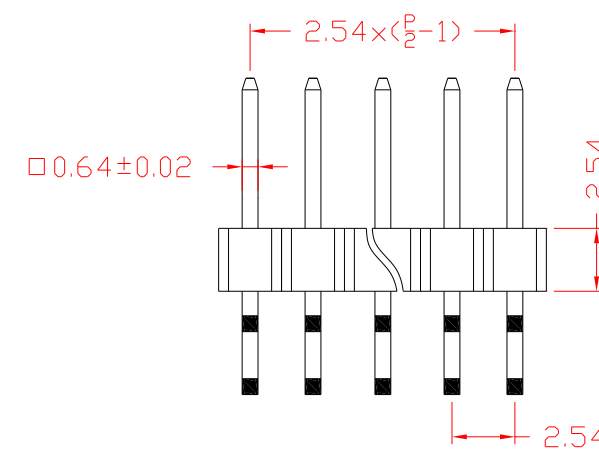
Dielectric Withstanding
 Voltage: AC 500V For 1 minute
 Operating Temperature:-55°C--+105°C
 Contact: Brass
 Housing: PBT &30% Glass Fiber(UL 94V-0)

- 要求:
 1. 塑料件无裂痕。
 2. 整排端子成一直线, 相邻端子之间相互平行。

设计/Designed by	绘图/Drawing by	审核/Checked by	批准/Approved by	未注公差 General Tolerance
				x, ±0.2 x, ±2' .x ±0.1 .x' ±1' .xx ±0.05 .xx'±0.5' .xxx ±0.01
		图名/title	文件编号/file No.	
		112-A双排直针 产品图	QJ/XYT-12022	
		页序/sheet		
		备注 /remark		单位/units: mm

序号/revNo.	更改记录/revision note	签名/signature	日期/date

序号/revNo.	名称/title	文件编号/file No.
1	塑料件	QJ/XYT-11119
2	端子	QJ/XYT-11120
3	端子	QJ/XYT-11120



Specifications:
 Contact Resistance: 30mΩ max.at DC 100 mA
 Insulator Resistance: 1000MΩ min.at DC 500V
 Current Rating: 1AMP

Dielectric Withstanding
 Voltage: AC 500V For 1 minute
 Operating Temperature:-55°C--+105°C
 Contact: Brass
 Housing: PBT &30% Glass Fiber(UL 94V-0)

- 要求:
 1. 塑料件无裂痕。
 2. 整排端子成一直线, 相邻端子之间相互平行。

设计/Designed by	绘图/Drawing by	审核/Checked by	批准/Approved by	未注公差 General Tolerance
				x, ±0.2 x, ±2' .x ±0.1 .x' ±1' .xx ±0.05 .xx'±0.5' .xxx ±0.01
		图名/title	文件编号/file No.	
		112-A双排弯针 产品图	QJ/XYT-12026	
		页序/sheet		
		备注 /remark		单位/units: mm

序号/revNo.	更改记录/revision note	签名/signature	日期/date