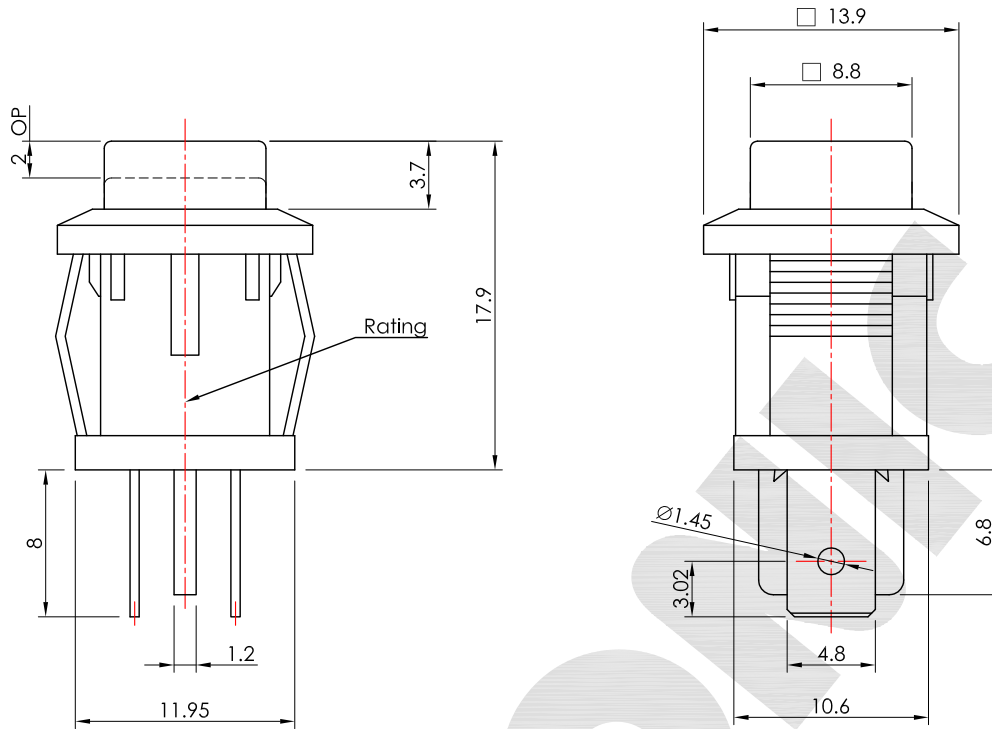


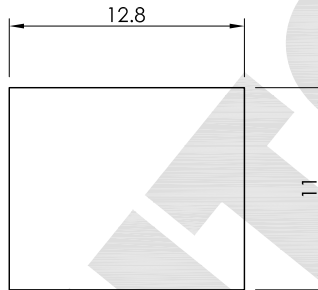
\*開關產品未經SWITRONIC同意，請勿拆解，否則無法負品質及安全責任。  
Please do not decompose the switch without any permission from SWITRONIC, otherwise the quality and safety responsibility could not be guaranteed.

RoHS compliant

\*本圖面若與目錄之規格尺寸不符，以本圖面規格尺寸為主。  
Below is our main specification if different from catalog.



PANEL THICK



RoHS compliant

PB-02TR-G

BUTTON COLOR	
BU	Blue
B	Black
GN	Green
R	Red(std.)
W	White
Y	Yellow
O	Orange

**SPECIFICATION**

**Rating:** 1A 125V AC/0.5A 250V AC.  
**Function:** OFF-(ON).  
**Contact resistance:** 30mΩ Max.(initial)  
**Insulation resistance:** 100MΩ Min. at 500V DC.  
**Withstand voltage:** 1,000V AC for 1 minute.  
**Minimum load:** 200mA 10V DC.(reference only)  
**Electrical life:** 5,000 Cycles Min.  
**Mechanical life:** 10,000 Cycles Min.  
**Operating force:** 350±50g.  
**Note 1:** Unwashable, don't be immersed by epoxy and organic solvent.  
**Note 2:** Please check the actual size, do not scale the drawing page.

**MATERIAL**

**Terminal:** Copper, Alloy, Silver plated.

產品 PRODUCT		Pushbutton Switch		型號 MODEL NO.		PB-02TR-G	
比例 SCALE	5 : 2	單位 UNIT	mm				
公差 TOLERANCE	.X=±0.3mm, .XX=±0.2mm						
製圖 DRAWN BY	核圖 CHECKED BY	主管 APPROVED BY					
Peter Kuo	Chuck Young	Margaret Lee					
<b>SWITRONIC</b> INDUSTRIAL CORP. <b>Switches</b>				一綺電子企業股份有限公司 總公司：110 台北市信義路四段415號13樓之3 13F-3 NO. 415, SEC. 4, HSIN YI ROAD, TAIPEI, TAIWAN TEL : 886-2-27290229 (Rep.) FAX : 886-2-27582086 URL : http://www.switronic.com.tw E-MAIL : switches@ms36.hinet.net			
				