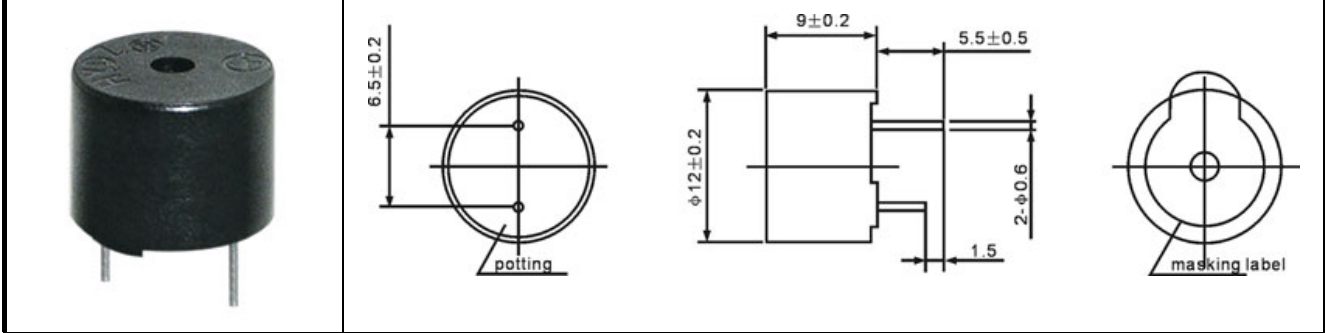




CUSTOMER : NUMBER : 070404-001

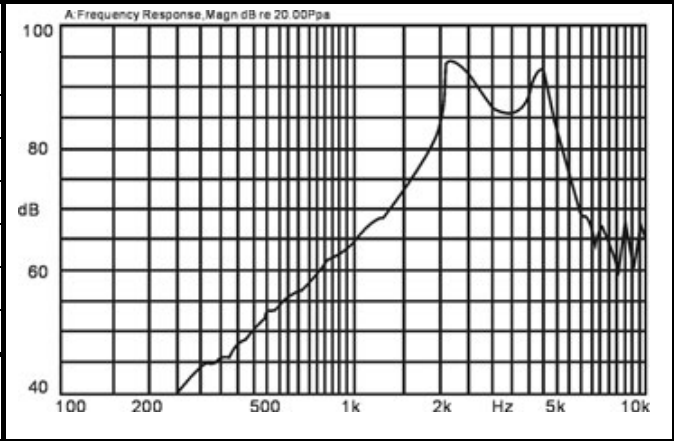
VARIETY : PPART NO :KC-1206



ELECTICAL REQUIREMENTS

Rated Voltage	12V
Operating Voltage	9 ~15V
Max. Rated Current	30mA
The minimum voice presses	85dB
Coil Resistance	140±14
The flaps the even rate	2000Hz
Operating Temperature	-20 ~+80
Weight	2g

FREQUENCY RESPONSE



TEST INSTRUMENT

	DASG3186
	2B-14
	CAL-7749
	JH6160

OTHERS

--	--

Materials

OUTSIDE SHELL		PPO	CIRCUIT		
WIRE			CORE		
SLICE			COATING EPOXY	AB	
NO	Revision \Date\Check		Approved	Checked By	Drawn By
1					
2			Remark		
3					