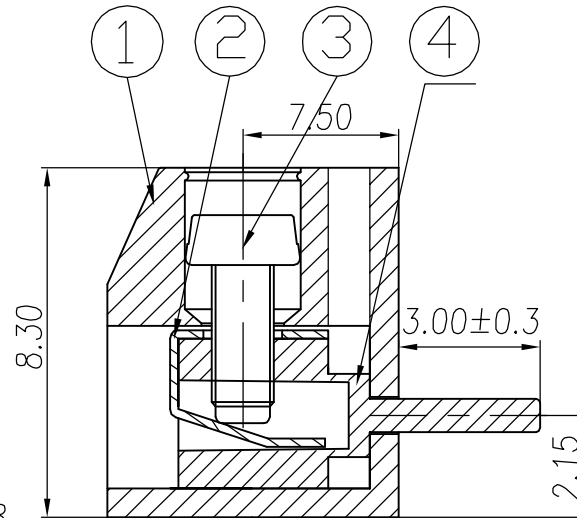
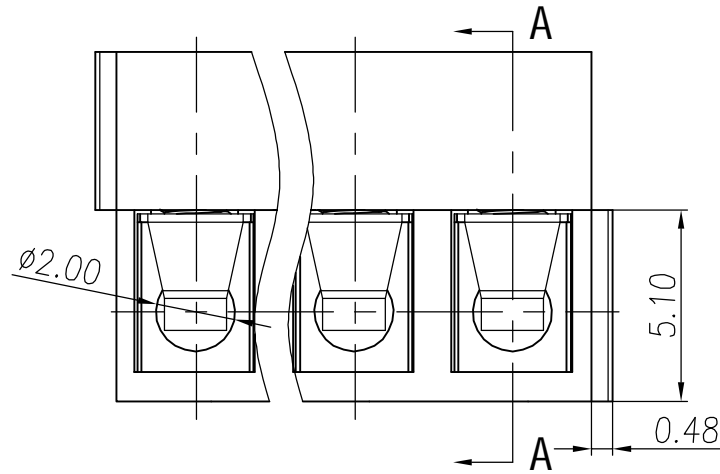
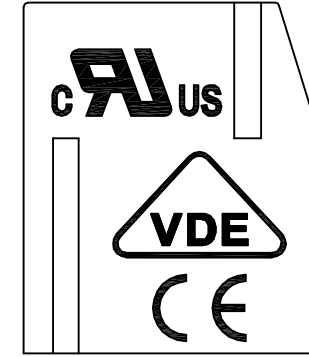
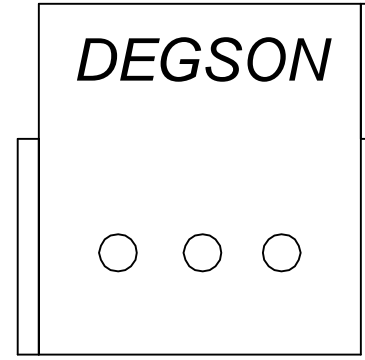
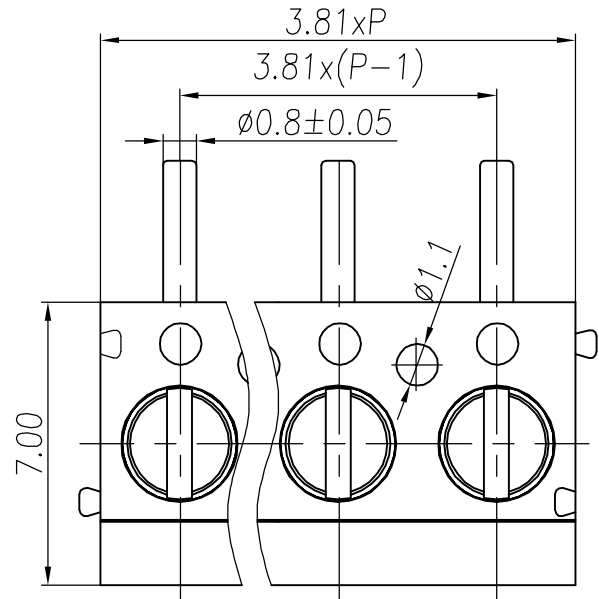


REVISION RECORD				
REV	ECD	DESCRIPTION	DRFT	DATE
△		Drawing revise	Haoyh	03/18/06
△		图面更新	CSX	05/08/06
△		品名、料号增加环保标示“(H)”	CSX	12/10/07



Notes:

- Pitch: 3.81mm
- Rated voltage/current: UL 300V/10A  
VDE 130V/10A
- Operation temperatures: -40°C ~ +105°C
- Withstanding Voltage: AC2000V/1Min
- Insulation Resistance: 5000MΩ / DC1000V
- Wire Range: 24~18AWG, 1.0mm<sup>2</sup>
- Max. Torque Value: 2.04kgf. cm
- Undimensioned Tolerances:

Pitch range in mm		Nominal dimension range in mm					
to 6	over 6 to 10	over 10 to 24	over 30 to 60	over 60 to 100	over 100 to 150	over 150	
±0.10	±0.15	±0.25	±0.2	±0.3	±0.5	±0.7	
						±1.0	
						0.05/10	

4	DG350R-Pin header	4018B00010(H)	XX	Brass	SnCe
3	DG350-Screws	S000001400(H)	XX	Steel	Cr <sup>3+</sup> Zn
2	DG350-Spring	X000000290(H)	XX	Phosphor bronze	Ni plated

SECTION A-A

ITEM	NAME OF PART	NO. OF PART	Q'TY	MATERIAL	NOTES
1	DG340R-3.81-Housing	4016A0YXXA(H)	1	PA66	UL94V-0

DRFT	JEAN	DATE	07/17/2004
CHKD		DATE	
MFD		DATE	
APPVL		DATE	
MATERIAL :			
ANGLES ± 1°			
G.E :			
FINISH:			
SCALE :			

DO NOT SCALE DRAWING		SHEET 1	OF 1

		宁波高正电子有限公司 DEGSON ELECTRONICS CO., LTD	
NAME			
DG340R-3.81-XXP-1Y-00A(H)			
DRAWING NO. DG340R-3.81-E01		SIZE	REV
/PART NO.		A3	T3
			12/10/07