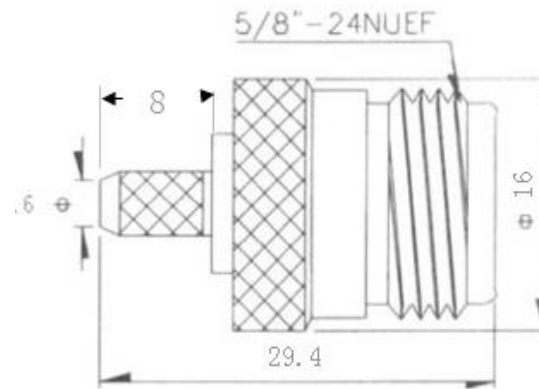


H-C58J



Major Technical Characteristics		MATERIAL & PLATING		
Temperature Range:	-55~+155°C(PE Cable -40~+85°C)	Body	brass	Nickel plated
Impedance:	50Ω			
Frequency Range:	DC~11GHz	Resilient contact	Beryllium-copper	Gold plated
Working Voltage:	1000V r.m.s at sea level			
Withstanding Voltage:	2500V r.m.s at sea level	Pin contact	brass	Gold plated
Contact resistance:	a)Center Contact ≤1m Ω b)Outer Contact ≤1m Ω			
Insulation resistance:	≥5000MΩ	Socket contact	Beryllium-copper	Gold plated
Center Conductor retention force:	≥0.56N			
Vibration	100m/S ² (10~500Hz),10g	insulator	PTFE	
Coupling nut retention force	450 N			
Disengagement force	8~63 N	Crimp ferrule	Copper alloy	Nickel or gold plated
Voltage Standing Wave Ratio:	Straight ≤1.15/6GHz Right angle ≤1.25/6GHz			
Durability(mating):	≥500times(cycles)	O-ring sealing	6146silicone rubber	