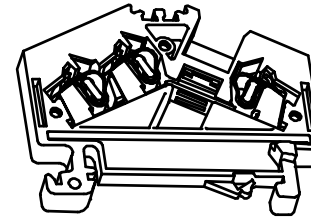
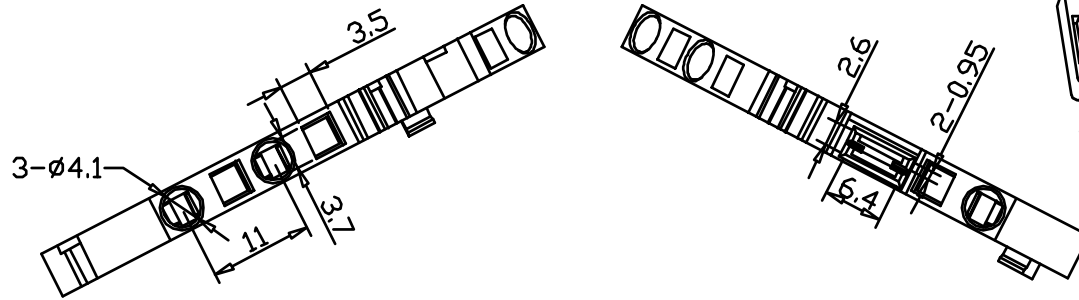


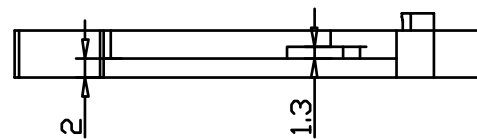
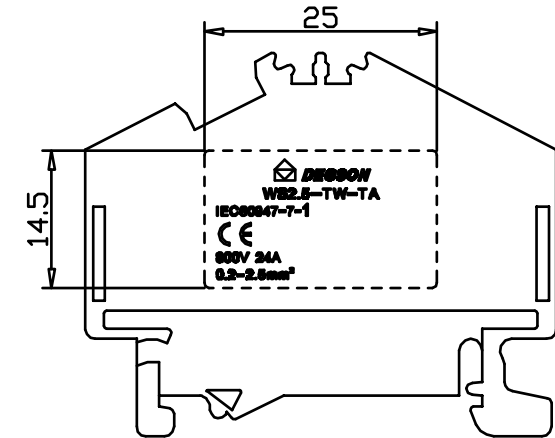
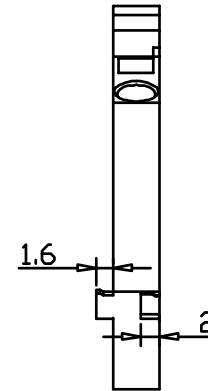
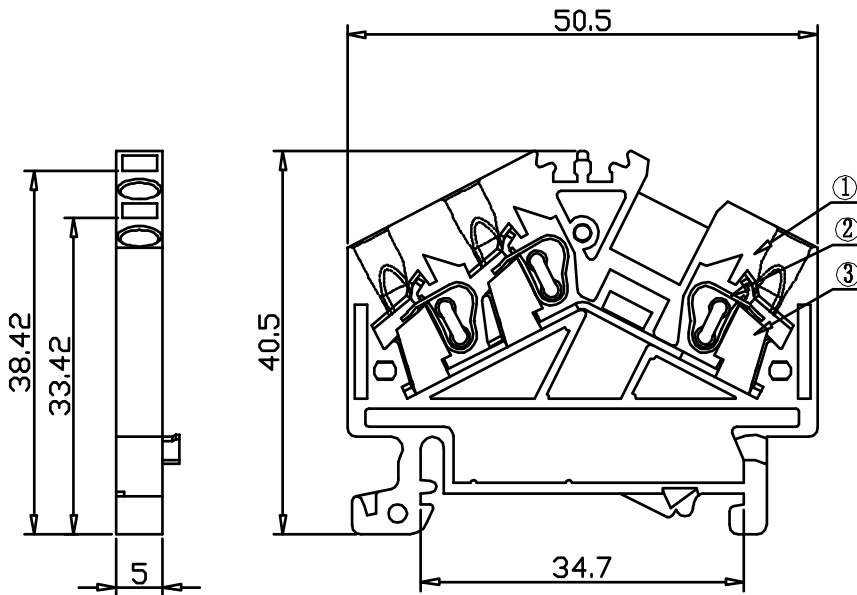
REVISION RECORD				
REV	ECD	DESCRIPTION	DRFT	DATE



Notes:

- Rated voltage/current: UL1059 600V 15A  
IEC 800V 24A
- Operation temperatures: -40°C ~ +105°C
- Withstanding Voltage: AC3500V/1Min
- Insulation Resistance: 1000MΩ / DC500V
- Wire Range: 28~12AWG, 0.2~2.5mm<sup>2</sup>
- Undimensioned Tolerances:

Pitch range in mm		Nominal dimension range in mm						—
to	over	over	over	over	over	over	∩	
6	to 10	to 24	to 30	to 60	to 100	to 150	□	
±0.10	±0.15	±0.25	±0.2	±0.3	±0.5	±0.7	±1	0.05/10



3	WS2.5-TW-TA Current Carrier	6176B00010(H)	1	Copper	SnCe plated
2	DG242-5.0-Shrapnel	X000000990(H)	3	Stainless steel	
1	WS2.5-TW-TA Housing	6176A0Y01A(H)	1	PA66	UL94V-0
ITEM	NAME OF PART	NO. OF PART	Q'TY	MATERIAL	NOTES

MM (INCH)	DFTD HXG	DATE 12/01/08
TOLERANCES EXCEPT AS NOTED	CHKD	DATE
	MFD	DATE
	APPVL	DATE
MM	±	
.00	±	
.000	±	
ANGLES ± 1°	G.E :	
THIRD ANGLE PROJECTION	FINISH:	
	SCALE : 1:1	

宁波高正电子有限公司 DEGSON ELECTRONICS CO., LTD	
NAME	
WS2.5-TW-TA-01P-1Y-00A(H)	
DRAWING NO. WS2.5-TW-TA-E01	SIZE
/PART NO.	A3
DO NOT SCALE DRAWING	REV TO 08/21/09
SHEET 1	OF 1