

Revision and History

Part No.: SP21-1005100M

Product code: TBD

Page: 1/4

Rev.	Date	Revision Description	Checked	Approved
A1	Aug/12/2019	Initial release.	Louise Liu	Cason Chen

Spec Sheet

Part No.: SP21-1005100M

Product code: TBD

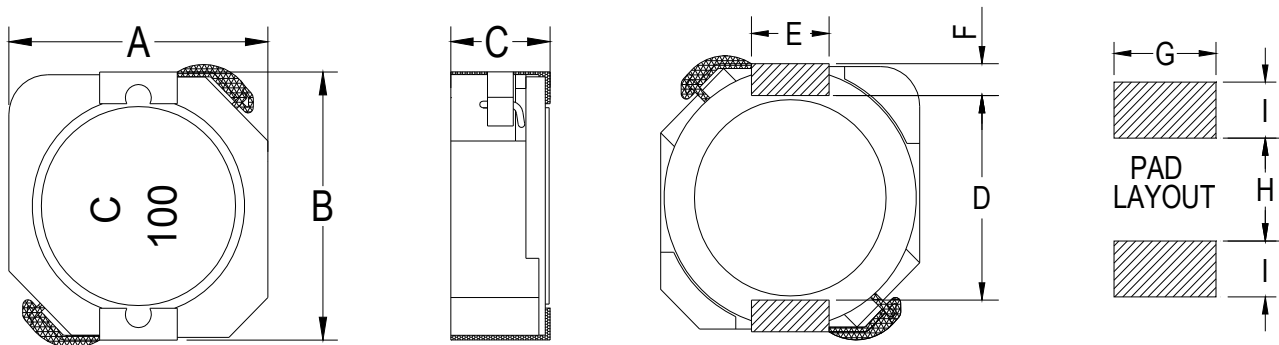
Page: 2/4

Features

- Shielded construction, High saturation current
- Storage temperature range:-40°C to + 125°C
- Operating temperature range:-40°C to + 125°C
(including coil's self-temperature rise)
- Moisture sensitivity level:1
- Packaging:750pcs. Per 13-inch reel
- RoHS&Halogen-free compliance

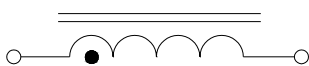


Mechanical Dimension(Unit:mm)



A	B	C	D	E	F	G	H	I
10.3 Max.	10.5 Max.	5.0 Max.	8.0±0.3	3.0±0.1	1.2±0.1	3.6	7.3	1.7

Electrical Schematic



Part Number Description

SP21 - 1005 100 M
 ① ② ③ ④

- ① Type
- ② Dimensions
- ③ Inductance value
- ④ Tolerance code

Electrical Characteristic

Inductance L0(uH)	DCR (mΩ)Max.	Isat (A)Typ.	Irms (A)Typ.	SRF (MHz)Typ.
10±20%	31	5.0	4.3	20.5

- Test frequency and voltage:100KHz,0.25Vrms.
- All test data referenced to 25°C ambient.
- Saturation current(Isat) will cause L0 to drop 10% typical.
- Heat rated current(Irms) will cause the coil temperature rise approximately Δt of 40°C.

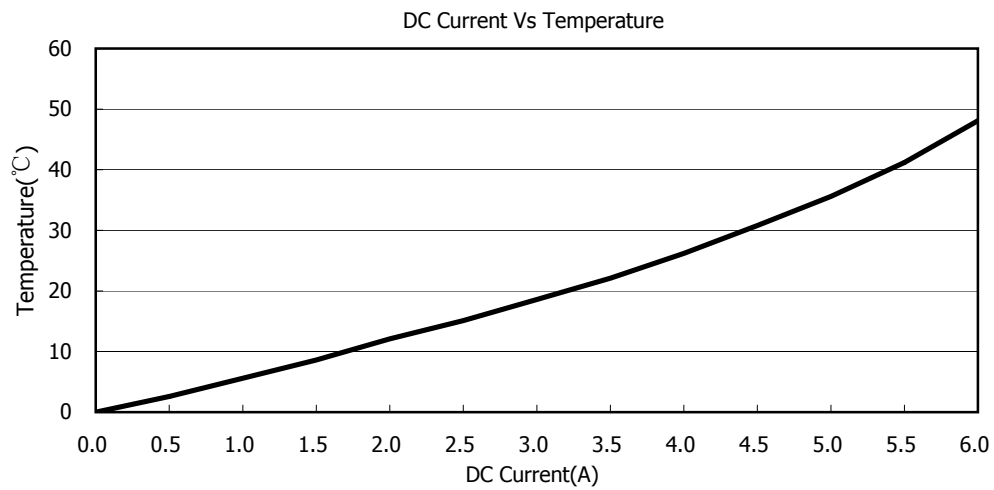
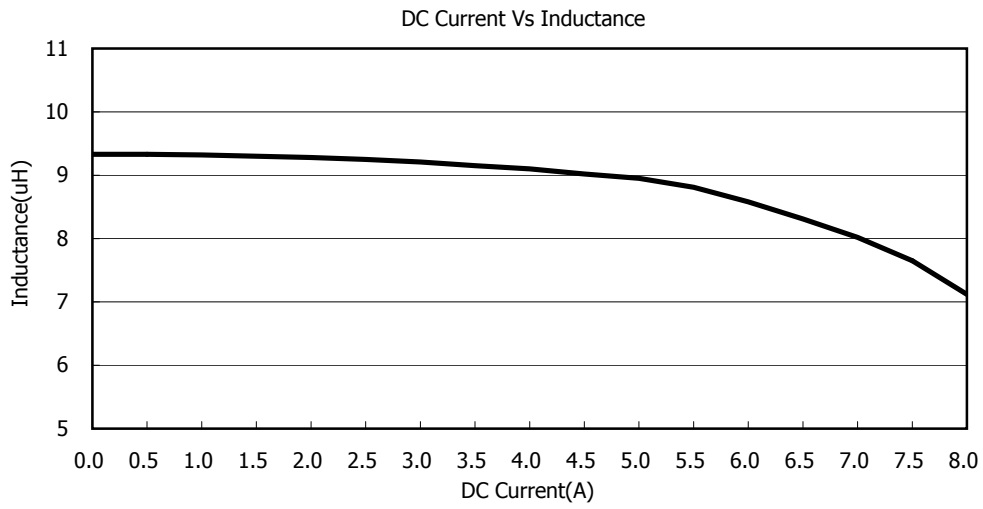
Spec Sheet

Part No.: SP21-1005100M

Product code: TBD

Page: 3/4

Characteristic Curve



Spec Sheet

Part No.: SP21-1005100M

Product code: TBD

Page: 4/4

Material List

No.	Materials	Description	Suppliers	UL No.
1	Core	Ni-Zn Ferrite	Zhongshan CASTLE Technology Co., Ltd. or Equivalent	/
2	Wire	P180 G1 180°C	Elektrisola Hangzhou Co.,Ltd. or Equivalent	E258243
3	Glue	Epoxy Black	Guangzhou WELLS Electronic Material Co. Ltd. or Equivalent	/
4	Tin	Lead-free Sn99.9	Dongguan Thousand Island Metal Foil Co.,Ltd. or Equivalent	/
5	Terminal	Lead-free Cu C1100H	Dongguan Shuo Cheng Electronics Co.,Ltd. or Equivalent	/