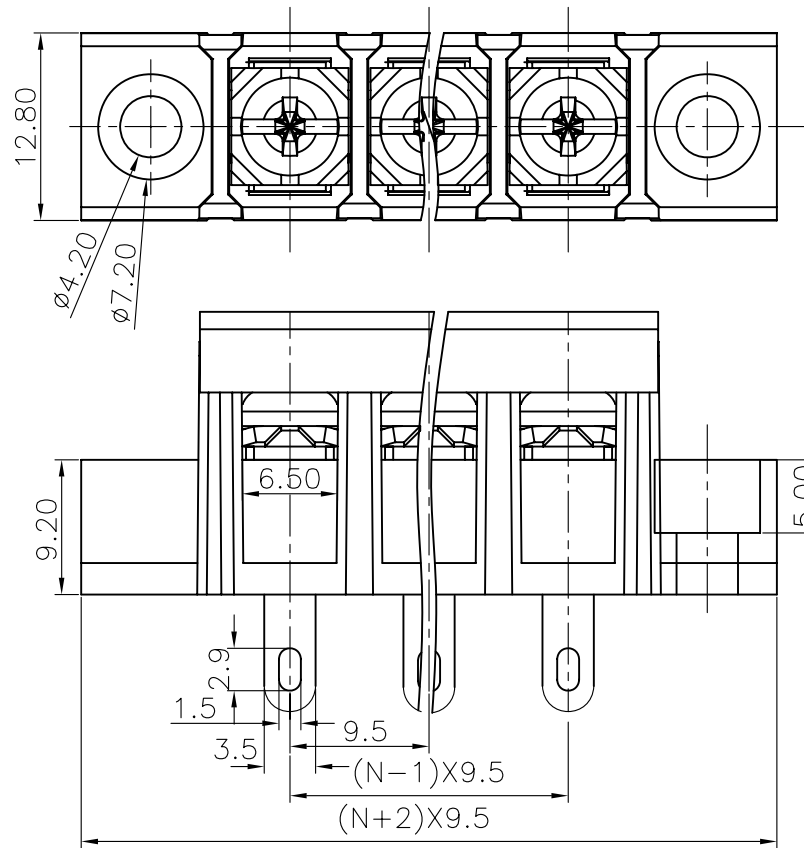
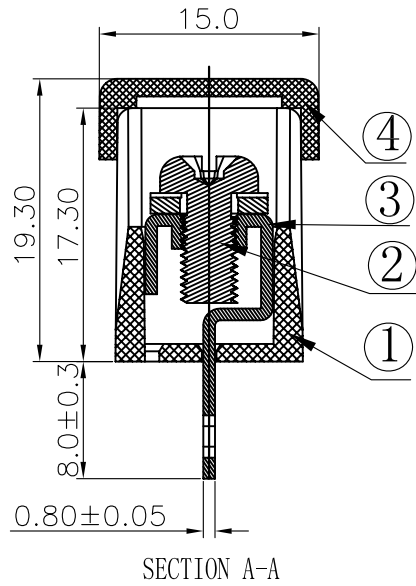


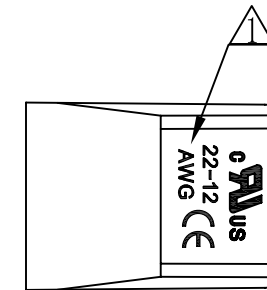
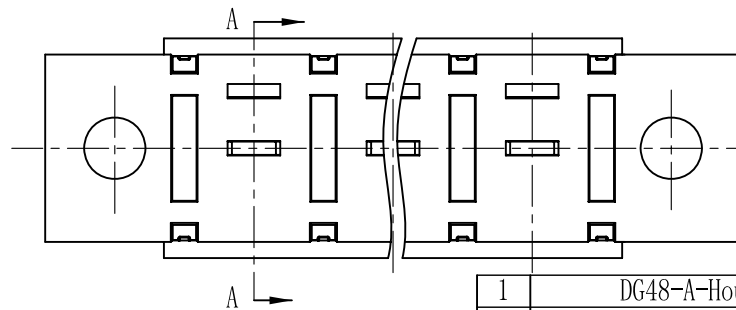
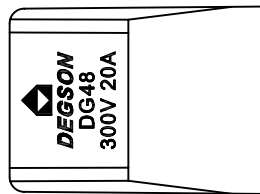
REVISION RECORD				
REV	ECO	DESCRIPTION	DRFT	DATE
1		增加UL刻字	CSX	03/16/07
2		品名、料号增加环保标识“(H)”	Ye j	12/08/07



Notes:

1. Pitch:9.5mm ,Poles:2-20P
2. Rated current:20A
3. Rated voltage:300V
4. Operation temperatures:-40° C~+105° C
5. Insulation Withstand Voltage:AC2000V/Min
6. Insulation Resistance:500MΩ/DC500V
7. Wire Range:22~12AWG
8. Max. Torque Value:12.24kgf.cm
9. Undimensioned Tolerances:

Pitch range in mm		Nominal dimension range in mm						
to	over	to	over	to	over	to		
6	10	10	24	30	60	100	150	—
±0.10	±0.15	±0.25	±0.2	±0.3	±0.5	±0.7	±1.0	0.05/10



4	DG48-Cover	5051C07XXA(H)	1	PC	
3	DG58H Pin header	5008B00050(H)	XX	Brass	SnCe plated
2	M4*8(7.5*7.5)bright Screws	S000000570(H)	XX	Steel	Ni plated

ITEM	NAME OF PART	NO. OF PART	Q'TY	MATERIAL	NOTES
1	DG48-A-Housing	5051M0YXXA(H)	1	PA66+23%GF	UL94V-0

MM (INCH)	±	DFTO Zhuwm	DATE 01/13/06"
TOLERANCES EXCEPT AS NOTED		CHKD	DATE
		MFO	DATE
		APPVL	DATE
MM	±	MATERIAL :	
.0 ±	±	NAME	
.00 ±	±	DG48H-A-XXP-1Y-00A(H)	
.000 ±	±	DRAWING NO. DG48H-E01	
ANGLES ± 1°		FINISH :	
		SCALE : 1:1	
THIRD ANGLE PROJECTION		DO NOT SCALE DRAWING	

DEGSON® 宁波高正电子有限公司 DEGSON ELECTRONICS CO., LTD	
SIZE A3	REV T2 12/08/07"
SHEET 1 OF 1	