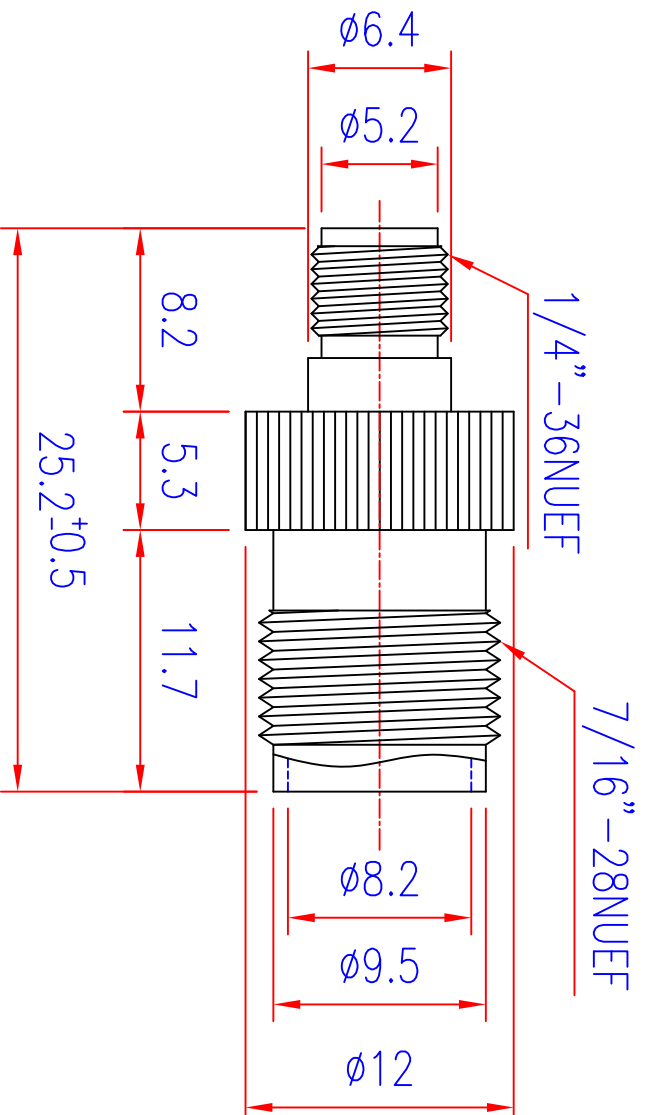


# SMA FEMALE TO TNC FEMALE



UNLESS OTHERWISE SPECIFIED  
 GENERAL TOLERANCES  
 0.5~6 = ±0.2  
 >6~30 = ±0.4  
 >30~120 = ±0.6

| NO.     | DESCRIPTION | QTY    | MATERIAL | SPECIFICATION | REMARK      |
|---------|-------------|--------|----------|---------------|-------------|
| DRAW BY | 周國君         | 050308 | 1 : 3    |               | TL4030-BTNG |
| DEGN BY |             | SCALE  | MM       |               | SMA FEMALE  |
| APPD BY |             | UNIT   |          |               |             |

|      |          |         |          |                              |             |                     |
|------|----------|---------|----------|------------------------------|-------------|---------------------|
| DATE | DRAWG BY | REVISED | 同利企業有限公司 | TELE LONG ENTERPRISE CO.,LTD | DRAWING NO. | TL4030-BTNG-TNS61-A |
|------|----------|---------|----------|------------------------------|-------------|---------------------|