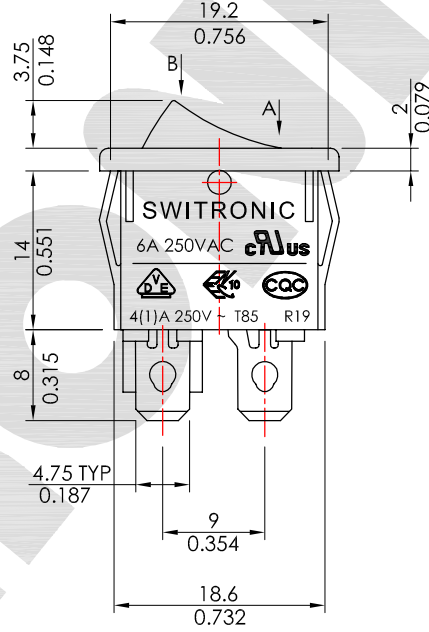
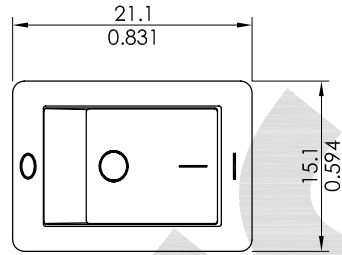
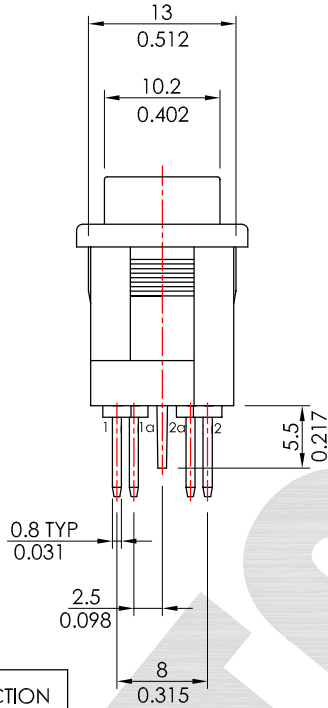
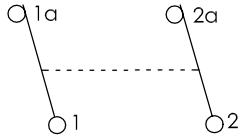


本圖面若與目錄之規格尺寸不符，以本圖面規格尺寸為主。  
Below is our main specification if different from catalog.

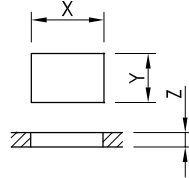
RoHS compliant

CIRCUIT DPST



POLES FUNCTION	OPTION OF FUNCTION		
	A		B
DPST	1-1a 2-2a	—	OFF

PANEL CUT-OUT		
Z	Y	X
0.70~1.25(0.028~0.049)	12.9~13.1(0.508~0.515)	19.1~19.2(0.752~0.756)
1.25~2.00(0.049~0.079)	12.9~13.1(0.508~0.515)	19.3~19.4(0.760~0.764)
2.00~3.00(0.079~0.118)	12.9~13.1(0.508~0.515)	19.4~19.6(0.764~0.772)
3.00~4.00(0.118~0.157)	12.9~13.1(0.508~0.515)	19.6~19.8(0.772~0.780)



MARKING  
refer to our catalog **RoHS compliant**

R19-20XXXXT-G

HOUSING COLOR	
B	Black
W	White
G	Gray

ROCKER COLOR	
B	Black
W	White
G	Gray
R	Red
Y	Yellow
GN	Green



**SPECIFICATION**

**Rating:** 6A 250V AC / 9A 125V AC(UL).  
**Contact resistance:** <20mΩ.(initial)  
**Insulation resistance:** >1,000MΩ (500V DC between open contacts).  
**Dielectric strength:** >1,500V 1 minute.  
**Minimum load:** 100mA 10V DC.(reference only)  
**Mechanical life:** >30,000 Cycles.  
**Electrical life:** >10,000 Cycles.  
**Temperature rise at the terminal:** 30°C Max.  
**When proceed with soldering, please pay attention to following:**  
 For manual soldering method, must use 30W soldering iron and complete the operation within 3 seconds, under 350 °C.  
 For dip soldering method, must complete the operation within 3 seconds with the temperature of 280 °C.  
**Note:** Not washable, don't immerse into epoxy and organic solvent.

V2.3	△		
V2.2	無	改版	2010.04.15
V2.1	無	圖框改版	2007.09.20
V2.0	無	新繪製	2003.12.08
版本 VER.	符號 SYMBOL	修改內容 ALTERATION	更新日期 DATE

產品 PRODUCT		Rocker Switch		型號 MODEL NO.	R19-20BBBT-G
比例 SCALE	3:2	單位 UNIT	mm	<b>一綺電子企業股份有限公司</b> 總公司：110 台北市信義路四段415號13樓之3 13F-3 NO. 415, SEC. 4, HSIIN YI ROAD, TAIPEI, TAIWAN TEL: 886-2-27290229(Rep.) FAX: 886-2-27582086 URL: http://www.switronic.com.tw E-MAIL: switches@ms36.hinet.net	
公差 TOLERANCE	.X=±0.4mm, .XX=±0.25mm				
製圖 DRAWN BY	核圖 CHECKED BY	主管 APPROVED BY			
Jack Liao	Alex Lin	Margaret Lee			