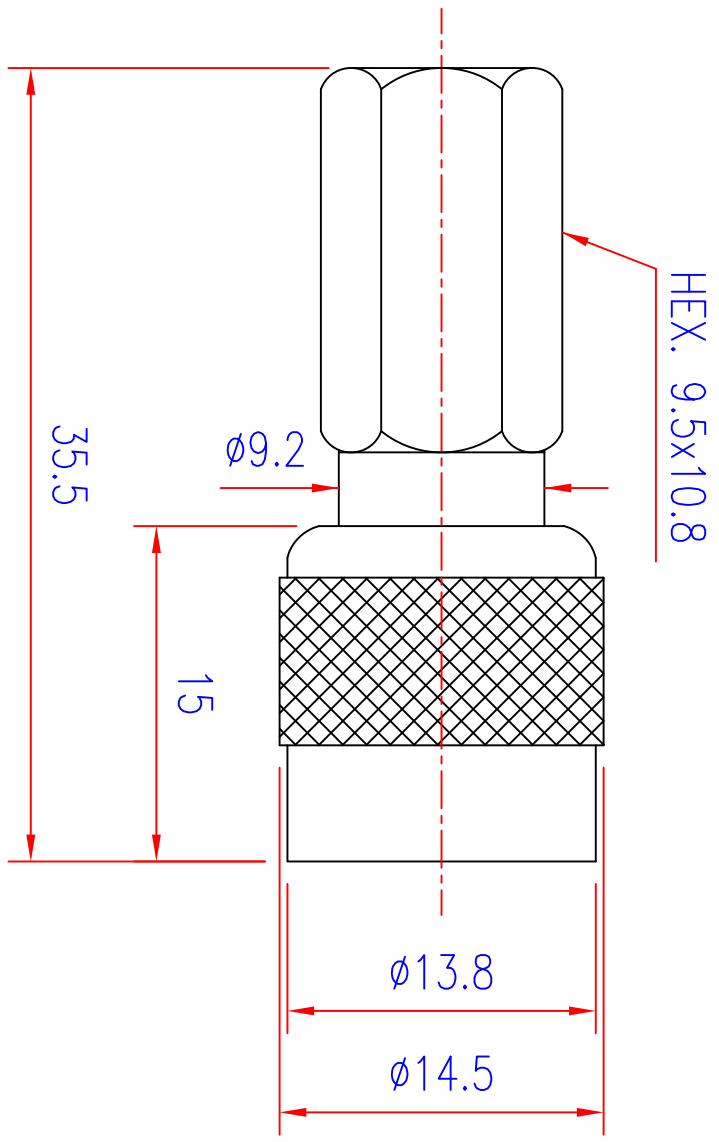


SPECIFICATION
 TNC MALE CONNECTOR
 TWIST ON ,RG59, NICKEL PLATED
 TNC 公, TWIST ON TYPE, RG59, 本體鍍鎳, PIN: 鍍金



UNLESS OTHERWISE SPECIFIED
 GENERAL TOLERANCES
 0.5~6 = ± 0.2
 >6~30 = ± 0.4
 >30~120 = ± 0.6

NO.	DESCRIPTION	QTY	MATERIAL	SPECIFICATION	REMARK
DRAW BY	周國君	051508	SCALE	1 : 3	ITEM NO. TL4523-59-BDNG
DEGN BY			UNIT	MM	TITLE TNC CONNECTOR
APPD BY					

DATE	DRAWG BY	REVISED	同利企業有限公司	TELE LONG ENTERPRISE CO.,LTD	DRAWING NO.	TL4523-59-BDNG-TNS61-C