



Name	SB570-G IP65 on-off ϕ 14mm
Rated Range	3A 250VAC
Contact resistance	$\leq 50\text{m}\Omega$
Insulation resistance	$\geq 100\text{M}\Omega$
Compressive strength	1500VAC 50Hz, 1Min
Electrical life	10000time
Mechanical life	10000time
Press power	4N~7N
Operating temperature	-25°C ~ +85°C
Degree of protection	IP65
Hypothermia	-25°C

Weldability

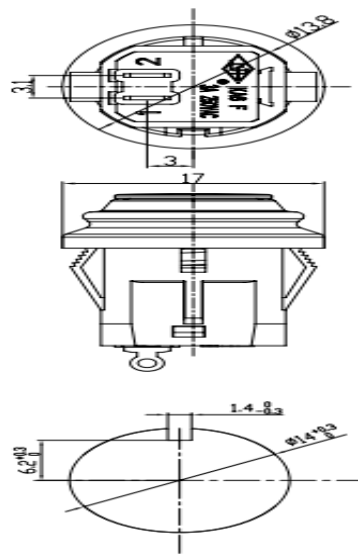
$\leq 350^{\circ}\text{C}$, $\leq 3\text{S}$

Resistance to soldering heat pick

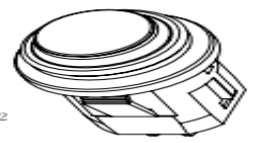
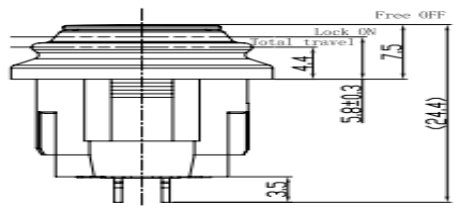
$\leq 350^{\circ}\text{C}$, $\leq 3\text{S}$

Material

PA66



公差 $\pm 0.2\text{mm}$



RUICHI